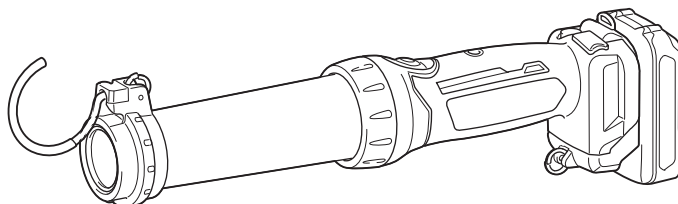
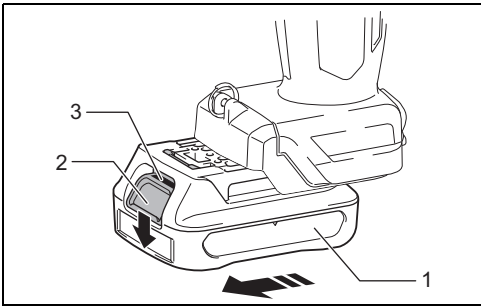




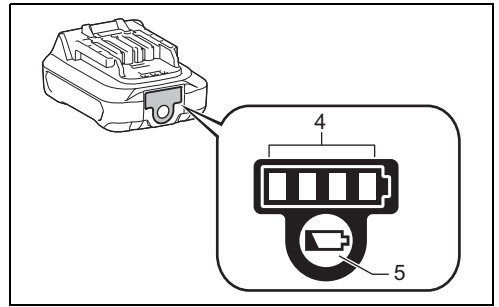
EN	Cordless LED Flashlight	Instruction manual
FR	Lampe torche LED	Manuel d'instructions
DE	Akku-Lampe	Betriebsanleitung
IT	Torcia LED a batteria	Istruzioni per l'uso
NL	Accu-LED-lamp	Gebruiksaanwijzing
ES	Linterna LED Inalámbrica	Manual de instrucciones
PT	Lanterna LED a Bateria	Manual de instruções
ZHCN	充电式 LED 日光灯	使用说明书

ML104

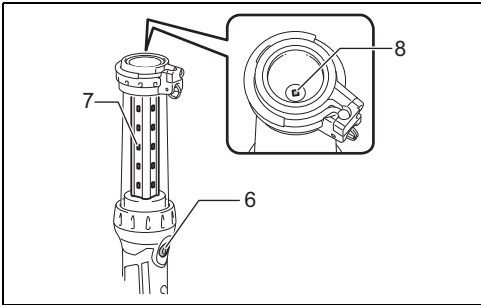




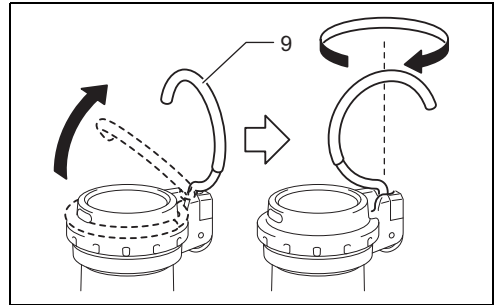
1



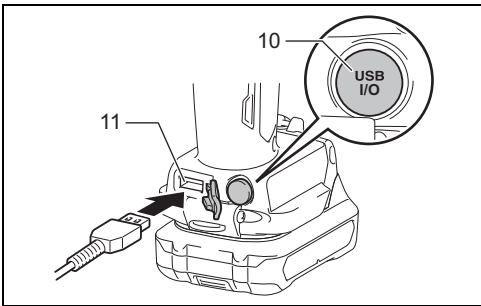
2



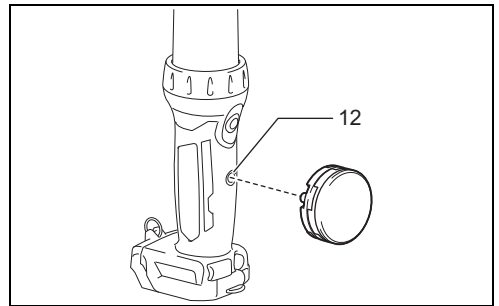
3



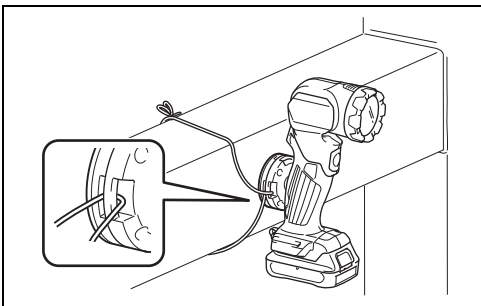
4



5



6



7

Parts description

- | | | |
|---------------------------|-----------------------|-----------------------------|
| 1. Battery cartridge | 5. Check button | 9. Metal hook |
| 2. Battery release button | 6. Light switch | 10. USB power supply switch |
| 3. Red indicator | 7. Main LED (20 pcs.) | 11. USB power supply port |
| 4. Indicator lamps | 8. Sub LED (1 pc.) | 12. Hole |








SPECIFICATIONS

Major Features		Model				ML104			
Voltage		DC 10.8 V - 12 V max							
LED		Main LED 0.5 W x 20 pcs.							
		Sub LED 2.0 W x 1 pc.							
USB power supply	Port		USB A type						
	Output voltage		DC 5 V						
	Output current		2.1 A						
Operating time (approximately)	Standard battery cartridge	Main LED (20 pcs.) when lit	Main LED (5 pcs.) when lit	Sub LED (1 pc.) when lit					
	BL1015, BL1016	2.0 hours	6.5 hours	7.0 hours					
	BL1020B, BL1021B	2.5 hours	8.5 hours	9.5 hours					
	BL1040B, BL1041B	5.5 hours	17 hours	19 hours					
Dimensions (with BL1040B)	with the hook stood	L 414 mm x W 66 mm x H 132 mm							
	with the hook stored	L 360 mm x W 66 mm x H 101 mm							
Net Weight		0.61 - 0.78 kg							

- Due to our ongoing research and development, the specifications herein are subject to change without notice.
- Note: Specifications may differ from country to country.
- Operating time may differ depending on battery type and usage condition.
- The weight may differ depending on the attachment(s), including the battery cartridge. The lightest and heaviest combination, according to EPTA-Procedure 01/2014, are shown in the table.

Symbols

The following show the symbols used for the equipment. Be sure that you understand their meaning before use.


-  Read instruction manual.
-  Indoor use only
-  Optical Radiation (UV and IR). Minimize exposure to eyes or skin.
-  Do not stare at the operating light source.
-  Use appropriate shielding or eyes protection.
-  Take particular care and attention!
-  Only for EU countries

Due to the presence of hazardous components in the equipment, waste electrical and electronic equipment, accumulators and batteries may have a negative impact on the environment and human health.

Do not dispose of electrical and electronic appliances or batteries with household waste!

In accordance with the European Directive on waste electrical and electronic equipment and on accumulators and batteries and waste accumulators and batteries, as well as their adaptation to national law, waste electrical equipment, batteries and accumulators should be stored separately and delivered to a separate collection point for municipal waste, operating in accordance with the regulations on environmental protection. This is indicated by the symbol of the crossed-out wheeled bin placed on the equipment.

IMPORTANT SAFETY INSTRUCTIONS

 **WARNING:** When using electric luminaires, basic safety precautions should always be followed to reduce the risk of fire, electric shock, and personal injury, including the following:

READ ALL INSTRUCTIONS.

CAUTION:

1. When the luminaire is not in use, always switch off, and unplug/remove the battery cartridge from the luminaire.
2. Do not cover or clog the lit luminaire with cloth or carton, etc. Covering or clogging it may cause a flame.
3. Do not use the luminaire in damp or wet locations. Do not expose the luminaire to rain or snow. Do not wash it in water.
4. Do not use the luminaire in explosive atmospheres, such as in the presence of flammable liquids, gases or dust.
5. Do not look in the LED light or see the source of light directly.

The lamp was classified at risk Group 2.

- a) The lamp or lamp system is in excess of the Exempt Group and that the viewer related risk is dependent upon how the users install and use the product;
- b) The most restrictive optical radiation hazard and other optical radiation hazards in excess of Exempt Group.
- c) Proper assembly, installation, maintenance and safe use, including clear warnings concerning precautions to avoid possible exposure to hazardous optical radiation.
- d) Advice on safe operation procedures and warnings concerning reasonably foreseeable malpractices, malfunctions and hazardous failure modes.
- e) NOTICE: UV and IR emitted from this product.
- f) WARNING: IR emitted from this product.
- g) CAUTION: Possibly hazardous optical radiation emitted from this product.
- h) Minimize exposure to eyes or skin. Use appropriate shielding.
- i) Use appropriate shielding or eye protection.
- j) Do not stare at operating lamp. May be harmful to the eyes.
- k) Eye or skin irritation may result from exposure. Avoid eye exposure.

Electrical safety

1. Do not insert a nail, wire, etc. into USB power supply port. Otherwise a circuit short may cause smoke and fire.
2. Do not connect power source to USB port. Otherwise there is risk of fire. The USB port is only intended for charging lower voltage device. Always place the cover onto the USB port when not charging the lower voltage device.

Battery luminaire use and care

1. Recharge only with the charger specified by the manufacturer. A charger that is suitable for one type of battery cartridge may create a risk of fire when used with another battery cartridge.
2. Use luminaire only with specifically designated battery cartridges. Use of any other battery cartridges may create a risk of injury and fire.
3. When the battery cartridge is not in use, keep it away from other metal objects, like paper clips, coins, keys, nails, screws or other small metal objects that can make a connection from one terminal to another.

Shorting the battery terminals together may cause burns or a fire.

4. Under abusive conditions, liquid may be ejected from the battery; avoid contact. If contact accidentally occurs, flush with water. If liquid contacts eyes, additionally seek medical help. Liquid ejected from the battery may cause irritation or burns.

IMPORTANT SAFETY INSTRUCTIONS FOR BATTERY CARTRIDGE

1. Before using battery cartridge, read all instructions and cautionary markings on (1) battery charger, (2) battery, and (3) product using battery.
2. Do not disassemble battery cartridge.
3. If operating time has become excessively shorter, stop operating immediately. It may result in a risk of overheating, possible burns and even an explosion.
4. If electrolyte gets into your eyes, rinse them out with clear water and seek medical attention right away. It may result in loss of your eyesight.
5. Do not short the battery cartridge:
 - (1) Do not touch the terminals with any conductive material.
 - (2) Avoid storing battery cartridge in a container with other metal objects such as nails, coins, etc.
 - (3) Do not expose battery cartridge to water or rain. A battery short can cause a large current flow, overheating, possible burns and even a breakdown.
6. Do not store the luminaire and battery cartridge in locations where the temperature may reach or exceed 50°C (122°F).
7. Do not incinerate the battery cartridge even if it is severely damaged or is completely worn out. The battery cartridge can explode in a fire.
8. Be careful not to drop or strike battery.
9. Do not use a damaged battery.
10. Follow your local regulations relating to disposal of battery.
11. The contained lithium-ion batteries are subject to the Dangerous Goods Legislation requirements. For commercial transports e.g. by third parties, forwarding agents, special requirement on packaging and labeling must be observed.

For preparation of the item being shipped, consulting an expert for hazardous material is required. Please also observe possibly more detailed national regulations. Tape or mask off open contacts and pack up the battery in such a manner that it cannot move around in the packaging.

CAUTION:

- Only use genuine Makita batteries. Use of non-genuine Makita batteries, or batteries that have been altered, may result in the battery bursting causing fires, personal injury and damage. It will also void the Makita warranty for the Makita tool and charger.

Tips for maintaining maximum battery life

1. Charge the battery cartridge before completely discharged.

Always stop luminaire operation and charge the battery cartridge when you notice less luminaire power.

- Never recharge a fully charged battery cartridge. Overcharging shortens the battery service life.
- Charge the battery cartridge with room temperature at 10°C - 40°C (50°F - 104°F). Let a hot battery cartridge cool down before charging it.
- Charge the battery cartridge if you do not use it for a long period (more than six months).

Save all warnings and instructions for future reference.

FUNCTIONAL DESCRIPTION

Installing or removing the battery cartridge (Fig. 1)

⚠ CAUTION:

- Always switch off the luminaire before installing or removing of the battery cartridge.
- Hold the luminaire and the battery cartridge firmly when installing or removing battery cartridge.** Failure to hold the luminaire and the battery cartridge firmly may cause them to slip off your hands and result in damage to the luminaire and battery cartridge and a personal injury.

To remove the battery cartridge, slide it from the luminaire while sliding the button on the front of the cartridge.

To install the battery cartridge, align the tongue on the battery cartridge with the groove in the housing and slip it into place. Insert it all the way until it locks in place with a little click. If you can see the red indicator on the upper side of the button, it is not locked completely.

⚠ CAUTION:

- Always install the battery cartridge fully until the red indicator cannot be seen. If not, it may accidentally fall out of the luminaire, causing injury to you or someone around you.
- Do not install the battery cartridge forcibly. If the cartridge does not slide in easily, it is not being inserted correctly.

Indicating the remaining battery capacity (Fig. 2)

(Only for battery cartridges with "B" at the end of the model number.)

Press the check button on the battery cartridge to indicate the remaining battery capacity. The indicator lamps light up for few seconds.

Indicator lamps		Remaining capacity
Lighted	Off	
■ ■ ■ ■		75% to 100%
■ ■ ■ □		50% to 75%
■ ■ □ □		25% to 50%
■ □ □ □		0% to 25%

NOTE:

- Depending on the conditions of use and the ambient temperature, the indication may differ slightly from the actual capacity.

Overdischarge protection

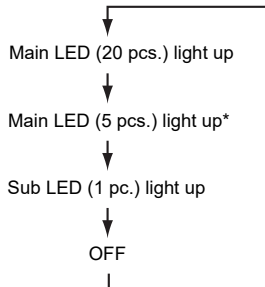
When the battery capacity is not enough, the light goes off automatically. In this case, remove the battery from the tool and charge the battery.

Light switch operations (Fig. 3)

⚠ CAUTION:

- Do not look in the LED light or see the source of light directly.

Press the light switch as shown below to change modes.



- * The LEDs on the opposite side of the light switch light up.

Metal hook (Fig. 4)

Pivot the metal hook upright before using it.

The hook can be turned at 360° and removed.

Connecting USB devices (Fig. 5)

⚠ CAUTION:

- Connect only devices which are compatible with the USB power supply port. Otherwise it may cause malfunction to the battery holder.

This luminaire (with the battery) can work as an external power supply for USB devices.

Open the cover and connect the USB cable (not included) with the power supply port of the battery holder. And then connect the other end of the cable with the device.

Press the USB power supply switch. The switch lights in green and the USB power supply port (with the battery) starts to supply DC5V, 2.1A at a maximum. Press the

USB power supply switch again to turn off the power supply.

NOTE:

- Before connecting USB device to the luminaire (with the battery), always backup your data of USB device. Otherwise your data may be lost by any possibility.
- The luminaire may not supply power to some USB devices.
- When not using or after charging, remove the USB cable and close the cover.
- To save the battery power, the USB power supply switch will automatically turn off when; 30 minutes is past since the power supply is finished; or the power supply is not performed for 30 minutes.
- If the remaining battery capacity become lower, the USB power supply switch will turn off and the power supply will stop to prevent overdischarging of the battery. In this case, charge the battery or replace with new one.

Magnet Attachment (optional accessory) (Fig. 6, 7)

Attach the magnet attachment by tightening the screw. When attaching the tool with the magnet attachment, use a string to fix the magnet attachment.

WARNING:

- Do not bring the magnet attachment closer to precision equipment such as electronic device, clock, watch, or IC card. The magnetic force may affect them.
- Do not use the magnet attachment near the heart pacemaker. There is a risk of malfunction.

NOTICE:

Before the attachment, make sure that the magnet can be attached to the desired metal, and there is enough space for the attachment. After the attachment, make sure that the tool is firmly fixed.

NOTICE:

- If the magnet attachment is attached to the material for a long period, the surface of the material may be damaged depending on the use conditions.
- When detaching the magnet attachment, do not slide it. The surface to which the magnet attachment is attached may be damaged.

MAINTENANCE

To maintain product safety and reliability, repairs and maintenance should be carried out by a Makita Authorized Service Center.

⚠ CAUTION:

- Never use gasoline, benzine, thinner, alcohol or the like. Discoloration, deformation or cracks may result.

OPTIONAL ACCESSORIES

⚠ CAUTION:

These accessories or attachments are recommended for use with your Makita luminaire specified in this manual. The use of any other accessories or attachments might present a risk of injury to persons. The accessories or

attachments should be used only in the proper and intended manner.

- Shoulder strap
- Magnet attachment
- Makita genuine battery and charger

NOTE:

- Some items in the list may be included in the luminaire package as standard accessories. They may differ from country to country.

Description des pièces

- | | | |
|--|-----------------------------|-------------------------------------|
| 1. Batterie | 5. Bouton de vérification | 10. Interrupteur d'alimentation USB |
| 2. Bouton de dégagement de la batterie | 6. Interrupteur d'éclairage | 11. Port d'alimentation USB |
| 3. Voyant rouge | 7. DEL principales (20) | 12. Orifice |
| 4. Voyants | 8. DEL secondaire (1) | |
| | 9. Crochet métallique | |

SPÉCIFICATIONS

Principales fonctions		Modèle		
Tension		ML104		
DEL		10,8 V C.C. - 12 V max		
		DEL principales 0,5 W x 20		
		DEL secondaire 2,0 W x 1		
Alimentation USB	Port	Type USB A		
	Tension de sortie	5 V C.C.		
	Courant de sortie	2,1 A		
Durée de fonctionnement (environ)	Batterie standard	DEL principales (20) si allumé	DEL principales (5) si allumé	DEL secondaire (1) si allumé
	BL1015, BL1016	2,0 heures	6,5 heures	7,0 heures
	BL1020B, BL1021B	2,5 heures	8,5 heures	9,5 heures
	BL1040B, BL1041B	5,5 heures	17 heures	19 heures
Dimensions (avec BL1040B)	lorsque le crochet est sorti	L 414 mm x P 66 mm x H 132 mm		
	lorsque le crochet est rentré	L 360 mm x P 66 mm x H 101 mm		
Poids net		0,61 - 0,78 kg		

- Étant donné notre recherche et notre développement continus, les spécifications contenues dans ce manuel sont sujettes à des modifications sans préavis.
- Remarque : Les spécifications peuvent varier suivant les pays.
- Le temps de fonctionnement peut varier selon le type de batterie et les conditions d'utilisation.
- Le poids peut varier en fonction des pièces complémentaires, notamment de la batterie. La combinaison la plus légère et la combinaison la plus lourde, selon la procédure EPTA du 01/2014, sont présentées dans le tableau.

Symboles

Les symboles utilisés pour l'appareil sont indiqués ci-dessous.

Assurez-vous d'avoir bien compris leur signification avant d'utiliser l'appareil.



..... Pour les pays de l'Union européenne uniquement

En raison de la présence de composants dangereux dans l'équipement, les déchets d'équipements électriques et électroniques, les accumulateurs et les batteries peuvent avoir un impact négatif sur l'environnement et la santé humaine.

Ne jetez pas les appareils électriques et électroniques ou les batteries avec les ordures ménagères !

Conformément à la directive européenne relative aux déchets d'équipements électriques et électroniques et aux déchets d'accumulateurs et de batteries, ainsi qu'à son adaptation à la législation nationale, les déchets d'équipements électriques, les batteries et les accumulateurs doivent être collectés séparément et déposés dans un point



..... Lire le manuel d'instructions.



..... Utilisation en intérieur uniquement



..... Rayonnement optique (UV et infrarouge).
Limitez l'exposition des yeux et de la peau.



..... Ne pas regarder fixement la source lumineuse lorsqu'elle fonctionne.



..... Utiliser un écran de protection adéquat ou une protection pour les yeux.



..... Faites preuve de prudence et de vigilance !

de collecte distinct pour déchets urbains, conformément aux réglementations en matière de protection de l'environnement. Cela est indiqué par le symbole de la poubelle à roulettes barrée sur l'équipement.

- j) Ne regardez pas fixement la lampe lorsqu'elle fonctionne. Vous risqueriez de vous blesser les yeux.
- k) Une exposition peut entraîner une irritation des yeux ou de la peau. Évitez d'exposer vos yeux.

Sécurité en matière d'électricité

1. N'insérez pas de clou, fil, etc., dans le port d'alimentation USB. Cela pourrait provoquer un court-circuit et entraîner la formation de fumée ainsi qu'un incendie.
2. Ne raccordez aucune source d'alimentation au port USB. Cela pourrait provoquer un incendie. Le port USB est destiné uniquement au rechargement d'appareils de faible tension. Placez toujours le cache sur le port USB lorsque vous ne rechargez pas d'appareils de faible tension.

Utilisation et entretien de l'appareil d'éclairage à batterie

1. N'utilisez que le chargeur spécifié par le fabricant. Un chargeur adapté à un type de batterie peut créer un risque d'incendie s'il est utilisé avec un autre type de batterie.
2. Utilisez l'appareil d'éclairage uniquement avec les batteries désignées. L'utilisation d'autres types de batterie peut créer un risque de blessures et d'incendie.
3. Lorsque vous n'utilisez pas la batterie, tenez-la éloignée de tout objet métallique, tel que les trombones, pièces de monnaie, clés, clous, vis ou autres petits objets métalliques susceptibles de faire office de connexion d'une borne à l'autre. Court-circuiter les bornes de la batterie peut provoquer des brûlures ou un incendie.
4. En cas de mauvaise utilisation, du liquide peut fuir de la batterie ; évitez tout contact. En cas de contact accidentel, nettoyez la surface en question à l'eau. Si du liquide entre en contact avec vos yeux, consultez un médecin. Le liquide éjecté de la batterie peut provoquer une irritation ou des brûlures.

IMPORTANTES CONSIGNES DE SÉCURITÉ POUR LA BATTERIE

1. Avant d'utiliser la batterie, lisez toutes les consignes et tous les avertissements inscrits sur (1) le chargeur, (2) la batterie et (3) l'appareil alimenté par la batterie.
2. Ne démontez pas la batterie.
3. Cessez immédiatement d'utiliser l'appareil si le temps de fonctionnement devient excessivement court. Il y a risque de surchauffe, de brûlures, voire d'explosion.
4. Si l'électrolyte pénètre dans vos yeux, rincez-les à l'eau claire et consultez immédiatement un médecin. Il y a risque de perte de la vue.
5. Ne court-circuitez pas la batterie :
 - (1) Ne touchez les bornes avec aucun matériau conducteur.
 - (2) Évitez de ranger la batterie dans un contenant où se trouvent d'autres objets métalliques tels que des clous, pièces de monnaie, etc.
 - (3) N'exposez pas la batterie à l'eau ou à la pluie. Un court-circuit de la batterie risque de provoquer un fort courant, une surchauffe, parfois des brûlures, voire une panne.

CONSIGNES DE SÉCURITÉ IMPORTANTES

⚠ AVERTISSEMENT : Lors de l'utilisation d'appareils d'éclairage électriques, vous devez toujours prendre des précautions élémentaires en matière de sécurité pour réduire les risques d'incendie, de choc électrique et de blessure. Ces précautions sont notamment les suivantes :

LISEZ TOUTES LES INSTRUCTIONS.

⚠ ATTENTION :

1. Lorsque vous n'utilisez pas l'appareil d'éclairage, vous devez toujours l'éteindre et en retirer la batterie.
2. Ne recouvrez pas et n'obturez pas l'appareil d'éclairage avec du tissu, du carton ou autre. Vous risqueriez de déclencher un incendie.
3. N'utilisez pas l'appareil d'éclairage dans les endroits humides ou mouillés. N'exposez pas l'appareil d'éclairage à la pluie et à la neige. Ne la lavez pas dans l'eau.
4. N'utilisez pas l'appareil d'éclairage dans les atmosphères explosives, par exemple en présence de liquides, gaz ou poussières inflammables.
5. Ne regardez pas directement la lumière de la DEL ou la source lumineuse.

La lampe a été classée dans le groupe 2 en matière de risques.

- a) La lampe ou le système de lampe est supérieur(e) au groupe d'exceptions et le risque lié à la visionneuse dépend de la manière dont les utilisateurs installent et utilisent le produit.
- b) Danger de rayonnement optique le plus restrictif et autres dangers de rayonnement optiques supérieurs au groupe d'exceptions.
- c) Montage, installation, entretien et utilisation en toute sécurité complets, y compris mises en garde claires pour éviter l'éventuelle exposition au rayonnement optique dangereux.
- d) Conseils sur les procédures de fonctionnement en toute sécurité et les mises en garde concernant les fautes professionnelles, dysfonctionnements et modes de défaillance dangereux raisonnablement prévisibles.
- e) NOTE : rayons UV et infrarouges émis par ce produit.
- f) AVERTISSEMENT : rayons infrarouges émis par ce produit.
- g) ATTENTION : risque de rayonnements optiques dangereux par ce produit.
- h) Limitez l'exposition des yeux et de la peau. Utilisez une protection adéquate.
- i) Utiliser un écran de protection adéquat ou une protection pour les yeux.

- Ne rangez pas l'appareil d'éclairage ou la batterie dans des endroits où la température risque d'atteindre ou de dépasser 50 °C (122 °F).
- Ne jetez pas la batterie au feu, même si elle est gravement endommagée ou complètement épuisée. La batterie peut exploser au contact du feu.
- Veillez à ne pas laisser tomber ou heurter la batterie.
- N'utilisez pas de batterie endommagée.
- Suivez les réglementations locales en ce qui concerne la collecte des batteries.
- Les batteries au lithium-ion contenues dans l'appareil sont soumises à la législation sur les marchandises dangereuses. Pour les transports commerciaux réalisés par des transitaires tiers par exemple, les conditions spéciales figurant sur les emballages et les étiquettes doivent être respectées.

Lors de la préparation de l'article à expédier, il est obligatoire de consulter un spécialiste en matières dangereuses. Respectez également les éventuelles réglementations nationales plus détaillées. Collez du ruban adhésif sur les contacts ouverts ou masquez-les et emballez la batterie de sorte qu'elle ne bouge pas dans le coffret.

⚠ ATTENTION :

- Utilisez uniquement des batteries Makita d'origine. L'utilisation de batteries qui ne sont pas Makita d'origine ou de batteries qui ont été modifiées peut provoquer des explosions et entraîner des incendies, des blessures corporelles et des dégâts. Cela peut également invalider la garantie Makita pour l'outil et le chargeur Makita.

Conseils pour garantir une durée de vie optimale de la batterie

- Rechargez la batterie avant qu'elle soit complètement épuisée. Arrêtez toujours l'appareil d'éclairage et rechargez la batterie lorsque vous constatez que la puissance de l'appareil d'éclairage diminue.
- Ne rechargez jamais une batterie complètement chargée. La surcharge réduit la durée de service de la batterie.
- Chargez la batterie lorsque la température ambiante est comprise entre 10 °C et 40 °C (50 °F et 104 °F). Si une batterie est chaude, laissez-la refroidir avant de la charger.
- Chargez la batterie si vous ne l'avez pas utilisée pendant une période prolongée (plus de six mois).

Conservez l'ensemble des avertissements et des consignes pour vous y reporter ultérieurement.

DESCRIPTION DU FONCTIONNEMENT

Installation et retrait de la batterie (Fig. 1)

⚠ ATTENTION :

- Mettez toujours l'appareil d'éclairage hors tension avant d'installer ou de retirer la batterie.

- Tenez fermement l'appareil d'éclairage et la batterie lors de l'installation ou du retrait de la batterie.** Si vous ne tenez pas fermement l'appareil d'éclairage et la batterie, ils risquent de glisser et de s'abîmer ou de vous blesser.

Pour retirer la batterie, faites glisser le bouton à l'avant de la batterie et sortez la batterie.

Pour installer la batterie, alignez sa languette sur la rainure qui se trouve à l'intérieur du carter, puis faites glisser la batterie pour la mettre en place. Insérez-la bien à fond jusqu'à ce qu'elle se verrouille en émettant un léger clic. Si vous voyez le voyant rouge sur la face supérieure du bouton, la batterie n'est pas parfaitement verrouillée.

⚠ ATTENTION :

- Installez toujours la batterie à fond, de sorte que le voyant rouge ne soit plus visible. À défaut, elle risque de tomber accidentellement de l'appareil d'éclairage et de vous blesser ou de blesser une personne située près de vous.
- Ne forcez pas pour installer la batterie. Si la batterie ne glisse pas aisément, elle n'est pas insérée correctement.

Indication de l'autonomie restante de la batterie (Fig. 2)

(uniquement pour les batteries dont le numéro de modèle se termine par la lettre « B ».)

Appuyez sur le bouton de vérification pour indiquer l'autonomie restante de la batterie. Les voyants s'allument alors pendant quelques secondes.

Voyants		Autonomie restante
Allumé	Éteint	
		75 % à 100 %
		50 % à 75 %
		25 % à 50 %
		0 % à 25 %

REMARQUE :

- Selon les conditions d'utilisation et la température ambiante, les indications peuvent différer légèrement de l'autonomie réelle restante.

Protection contre les décharges accélérées

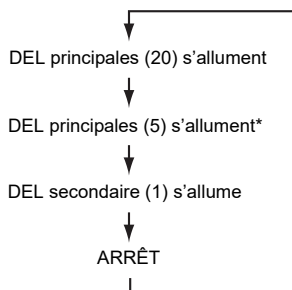
Lorsque l'autonomie de la batterie est insuffisante, le voyant s'éteint automatiquement. Dans ce cas, retirez la batterie de l'outil et rechargez-la.

Fonctionnement de l'interrupteur d'éclairage (Fig. 3)

⚠ ATTENTION :

- Ne regardez pas directement la lumière de la DEL ou la source lumineuse.

Pour changer de mode, appuyez sur l'interrupteur d'éclairage comme illustré ci-dessous.



* Les LED sur le côté opposé de l'interrupteur d'éclairage s'allument.

Crochet métallique (Fig. 4)

Faites pivoter le crochet métallique à la verticale avant de l'utiliser.

Vous pouvez tourner le crochet à 360° et le retirer.

Raccordement de périphériques USB (Fig. 5)

⚠ ATTENTION :

- Raccordez uniquement des périphériques compatibles avec le port d'alimentation USB. À défaut, le support de la batterie risque de ne pas fonctionner correctement.

Cet appareil d'éclairage (avec la batterie) peut fonctionner comme une alimentation externe pour les périphériques USB.

Ouvrez le cache et branchez le câble USB (non fourni) dans le port d'alimentation du support de la batterie.

Raccordez ensuite l'autre extrémité du câble au périphérique.

Appuyez sur l'interrupteur d'alimentation USB.

L'interrupteur s'allume en vert et le port d'alimentation USB (avec la batterie) commence à alimenter l'appareil selon une tension de 5 V C.C., 2,1 A au maximum.

Appuyez à nouveau sur l'interrupteur d'alimentation USB pour mettre la lampe hors tension.

REMARQUE :

- Avant de raccorder le périphérique USB à l'appareil d'éclairage (avec la batterie), sauvegardez toujours les données enregistrées sur votre périphérique USB. À défaut, vous risquez de les perdre définitivement.
- Il est possible que l'appareil d'éclairage ne puisse pas alimenter certains périphériques USB.
- Retirez le câble USB et fermez le cache lorsque vous ne l'utilisez pas ou lorsque le chargement est terminé.
- Pour économiser de la batterie, l'interrupteur d'alimentation USB s'éteint automatiquement lorsque 30 minutes se sont écoulées depuis que l'alimentation a été coupée ou si la lampe n'a pas été alimentée depuis 30 minutes.
- Si la capacité restante de la batterie diminue, l'interrupteur d'alimentation USB s'éteint et l'appareil n'est plus alimenté en énergie pour éviter que la batterie soit totalement déchargée. Dans ce cas, rechargez la batterie ou remplacez-la par une neuve.

Fixation magnétique (accessoire en option) (Fig. 6 et 7)

Pour installer la fixation magnétique, serrez la vis. Lors de l'installation de l'outil à l'aide de la fixation magnétique, utilisez une ficelle pour maintenir la fixation magnétique en place.

AVERTISSEMENT :

- N'approchez pas trop la fixation magnétique d'un équipement de précision tel qu'un appareil électronique, une horloge, une montre ou une carte de CI. La force magnétique pourrait les perturber.
- N'utilisez pas la fixation magnétique à proximité d'un stimulateur cardiaque. Il y a un risque de dysfonctionnement.

NOTE :

Avant d'installer la pièce complémentaire, assurez-vous que l'aimant peut être attaché au métal désiré et qu'il y a suffisamment d'espace pour la pièce complémentaire. Après avoir installé la pièce complémentaire, assurez-vous que l'outil est solidement fixé.

NOTE :

- Si la fixation magnétique est installée sur le matériel pendant une longue période, la surface de celui-ci risque d'être endommagée, en fonction des conditions d'utilisation.
- Pour retirer la fixation magnétique, ne la faites pas glisser. Vous pourriez endommager la surface sur laquelle est installée la fixation magnétique.

ENTRETIEN

Pour garantir la sûreté et la fiabilité du produit, les réparations et l'entretien doivent être confiés à un Centre de service après-vente Makita agréé.

⚠ ATTENTION :

- N'utilisez jamais d'essence, de benzine, de diluant, d'alcool ou de produit similaire. Ces produits risquent de provoquer des décolorations, des déformations ou des fissures.

ACCESSOIRES FOURNIS EN OPTION

⚠ ATTENTION :

Il est recommandé d'utiliser ces accessoires ou pièces complémentaires avec l'appareil d'éclairage Makita spécifié dans le présent manuel. L'utilisation de tout autre accessoire ou pièce complémentaire peut comporter un risque de blessure. Ces accessoires ou pièces complémentaires doivent être utilisés correctement, de la façon prévue.

- Sangle du harnais
- Fixation magnétique
- Batterie et chargeur Makita d'origine

REMARQUE :

- Certains éléments répertoriés peuvent être inclus en tant qu'accessoires standard dans le coffret de l'appareil d'éclairage. Ils peuvent varier suivant les pays.

DEUTSCH

Beschreibung der Bauteile

- | | | |
|-----------------------|-------------------------|-----------------------------------|
| 1. Akkublock | 5. Akkuprüftaste | 9. Metallhaken |
| 2. Akku-Freigabetaste | 6. Lichtschalter | 10. USB-Stromversorgungsschalter |
| 3. Roter Bereich | 7. Haupt-LED (20 Stück) | 11. USB-Stromversorgungsanschluss |
| 4. Anzeigelampen | 8. Zusatz-LED (1 Stück) | 12. Öffnung |

TECHNISCHE DATEN

Hauptmerkmale		Modell		
		ML104		
Spannung		10,8 V Gleichspannung - 12 V max		
LED		Haupt-LED 0,5 W x 20 Stück		
		Zusatz-LED 2,0 W x 1 Stück		
USB-Stromversorgung	Anschluss	USB Typ A		
	Ausgangsspannung	Gleichspannung 5 V		
	Ausgangsstrom	2,1 A		
Betriebszeit (Näherungswert)	Standard-Akkublock	Haupt-LED (20 Stück), leuchtend	Haupt-LED (5 Stück), leuchtend	Zusatz-LED (1 Stück), leuchtend
	BL1015, BL1016	2,0 Stunden	6,5 Stunden	7,0 Stunden
	BL1020B, BL1021B	2,5 Stunden	8,5 Stunden	9,5 Stunden
	BL1040B, BL1041B	5,5 Stunden	17 Stunden	19 Stunden
Abmessungen (mit BL1040B)	Mit aufgestelltem Haken	L 414 mm x B 66 mm x H 132 mm		
	Mit eingeklapptem Haken	L 360 mm x B 66 mm x H 101 mm		
Nettogewicht		0,61 - 0,78 kg		

- Aufgrund unserer andauernden Forschung und Weiterentwicklung sind Änderungen an den hier angegebenen Technischen Daten ohne Vorankündigung vorbehalten.
- Hinweis: Die Technischen Daten können in den einzelnen Ländern voneinander abweichen.
- Die Betriebszeit variiert je nach Akkutyp und Nutzungsbedingungen.
- Das Gewicht kann sich je nach Umfang und Art der vorhandenen Zubehörteile inkl. Akkublock ändern. Das Gewicht der leichtest- und schwerstmöglichen Kombination, das im Einklang mit dem EPTA-Verfahren 01/2014 ermittelt wurde, ist in der Tabelle aufgeführt.

Symbole

Im Folgenden sind die im Zusammenhang mit diesem Gerät verwendeten Symbole dargestellt. Machen Sie sich vor der Benutzung des Geräts unbedingt mit diesen Symbolen vertraut.



Nur für EU-Länder
Aufgrund des Vorhandenseins gefährlicher Komponenten in der Ausrüstung können Elektro- und Elektronik-Altgeräte, Akkumulatoren und Batterien sich negativ auf die Umwelt und die menschliche Gesundheit auswirken. Entsorgen Sie Elektro- und Elektronikgeräte oder Batterien nicht mit dem Hausmüll!
In Übereinstimmung mit der Europäischen Richtlinie über Elektro- und Elektronik-Altgeräte, Akkumulatoren und Batterien, verbrauchte Akkumulatoren und Batterien sowie ihrer Anpassung an nationales Recht sollten Elektro-Altgeräte, Batterien und Akkumulatoren gemäß den Umweltschutzbestimmungen getrennt gelagert und zu einer getrennten Sammelstelle für Siedlungsabfälle geliefert werden.

..... Lesen Sie die Betriebsanleitung.

..... Verwendung nur im Inneren

..... Optische Strahlung (ultraviolette und infrarote Strahlung). Setzen Sie Ihre Augen und Haut möglichst wenig dieser Strahlung aus.

..... Blicken Sie nicht direkt in die leuchtende Lichtquelle.

..... Verwenden Sie geeignete Abschirmungen bzw. einen Augenschutz.

..... Besondere Aufmerksamkeit erforderlich!

Dies wird durch das am Gerät angebrachte Symbol der durchgestrichenen Abfalltonne auf Rädern angezeigt.

- i) Verwenden Sie geeignete Abschirmungen bzw. einen Augenschutz.
- j) Blicken Sie nicht direkt in die eingeschaltete Lampe. Andernfalls gefährden Sie Ihre Sehfähigkeit.
- k) Durch die Strahlungen kann es zu Irritationen von Augen und Haut kommen. Vermeiden Sie, dass die Augen den Strahlen ausgesetzt werden.

WICHTIGE SICHERHEITSHINWEISE

⚠️ WARNUNG: Um die Gefahr von Verletzungen, Stromschlägen und Bränden zu verringern, müssen bei der Verwendung von elektrischen Leuchten stets grundlegende Sicherheitsmaßnahmen befolgt werden, zu denen auch die im Folgenden genannten gehören:

LESEN SIE ALLE ANWEISUNGEN AUFMERKSAM DURCH.

⚠️ ACHTUNG:

1. Wenn die Leuchte nicht verwendet wird, schalten Sie sie stets aus, und entfernen Sie den Akkublock aus der Leuchte.
2. Bedecken oder umwickeln Sie die eingeschaltete Leuchte nicht mit Stoff, Karton oder ähnlichen Gegenständen, da es anderenfalls zu einem Brand kommen kann.
3. Die Leuchte darf nicht an feuchten oder nassen Orten verwendet werden. Die Leuchte darf weder Regen noch Schnee ausgesetzt werden. Waschen Sie die Leuchte nicht mit Wasser ab.
4. Betreiben Sie die Leuchte niemals in explosionsgefährdeten Umgebungen, wie etwa in der Nähe von brennbaren Flüssigkeiten, Gasen oder Staub.
5. Schauen Sie nicht direkt in die LED-Lampe oder in die Lichtquelle.

Die Lampe wurde in die Gefahrengruppe 2 eingestuft.

- a) Die Lampe bzw. das Lampensystem fallen nicht in die Gruppe freier Geräte; die Gefahren, denen die Betrachter ausgesetzt sind, sind von der Installation und der Gebrauchsweise des Benutzers abhängig.
- b) Die größte Gefahr durch optische Strahlungen und sonstige Gefahren durch optische Strahlungen fallen nicht in die Gruppe freier Geräte.
- c) Ein ordnungsgemäßer Zusammenbau, eine ordnungsgemäße Installation und Wartung und der ungefährliche Gebrauch, einschließlich verständlicher Warnungen bezüglich Vorsichtsmaßnahmen, sind Voraussetzung dafür zu verhindern, dass sich Menschen gefährlichen optischen Strahlungen aussetzen.
- d) Geben Sie Hinweise bezüglich sicherer Betriebsverfahren und Warnungen bezüglich begründeter vorhersehbarer Fehlverhalten, Fehlfunktionen und gefährlicher Fehlerzustände.
- e) HINWEIS: Von diesem Produkt werden UV-Strahlung und Infrarotstrahlung abgegeben.
- f) WARNUNG: Von diesem Produkt wird Infrarotstrahlung abgegeben.
- g) ACHTUNG: Von diesem Produkt werden gefährliche optische Strahlungen abgegeben.
- h) Setzen Sie Ihre Augen und Haut möglichst wenig dieser Strahlung aus. Gebrauchen Sie geeignete Abschirmungen.

Sicherheit beim Umgang mit Elektrizität

1. Stecken Sie niemals Nägel, Drähte usw. in den USB-Stromversorgungsanschluss. Andernfalls kann ein Kurzschluss Rauch und Feuer verursachen.
2. Schließen Sie die Stromquelle nicht an den USB-Anschluss an. Andernfalls besteht Brandgefahr. Der USB-Anschluss ist nur für das Laden von Geräten mit einer geringeren Spannung vorgesehen. Den USB-Anschluss immer mit der Abdeckung verschließen, wenn keine Geräte mit niedrigerer Spannung geladen werden.

Verwendung und Pflege von akkubetriebenen Leuchten

1. Der Akku darf nur mit dem vom Hersteller vorgegebenen Ladegerät aufgeladen werden. Ein Ladegerät, das sich für den einen Akkublocktyp eignet, kann bei der Verwendung mit einem anderen Akkublock eine Brandgefahr darstellen.
2. Die Leuchte darf nur mit den speziell dafür vorgesehenen Akkublöcken verwendet werden. Bei Verwendung anderer Akkublöcke besteht Verletzungs- und Brandgefahr.
3. Nicht verwendete Akkublöcke dürfen nicht in der Nähe von anderen metallischen Gegenständen wie Büroklammern, Münzen, Schlüsseln, Nägeln, Schrauben oder sonstigen metallischen Kleingegegenständen aufbewahrt werden, da durch derartige Gegenstände die Gefahr besteht, dass eine leitende Verbindung zwischen den Kontakten hergestellt wird. Ein Kurzschluss der Akkukontakte kann Verbrennungen verursachen oder eine Brandgefahr darstellen.
4. Bei unsachgemäßem Gebrauch kann Flüssigkeit aus dem Akku austreten; vermeiden Sie in diesem Fall jeglichen Kontakt mit der Flüssigkeit. Wenn Sie versehentlich mit Akkuflüssigkeit in Berührung geraten, waschen Sie die betroffene Stelle gründlich mit Wasser ab. Wenn die Flüssigkeit in die Augen geraten ist, suchen Sie anschließend umgehend einen Arzt auf. Die aus dem Akku austretende Flüssigkeit kann Hautreizungen und Verbrennungen verursachen.

WICHTIGE SICHERHEITSANWEISUNGEN FÜR AKKUBLOCK

1. Lesen Sie sich vor der Verwendung des Akkublocks alle Anweisungen und Sicherheitshinweise für das Akkuladegerät (1), den Akku (2) und das Produkt (3), für das der Akku verwendet wird, sorgfältig durch.
2. Der Akkublock darf nicht zerlegt werden.
3. Falls die Betriebsdauer erheblich kürzer wird, müssen Sie den Betrieb umgehend beenden. Anderenfalls

besteht die Gefahr einer Überhitzung sowie die Gefahr von Verbrennungen und sogar einer Explosion.

4. Wenn Elektrolyt in die Augen geraten ist, waschen Sie die Augen mit klarem Wasser aus und suchen Sie sofort einen Arzt auf. Andernfalls kann es zum Verlust der Sehfähigkeit kommen.

5. Vermeiden Sie einen Kurzschluss des Akkublocks:
(1) Die Kontakte dürfen nicht mit leitenden Materialien in Berührung kommen.

(2) Der Akkublock darf nicht in einem Behälter aufbewahrt werden, in dem sich andere metallische Gegenstände wie beispielsweise Nägel, Münzen usw. befinden.

(3) Der Akkublock darf keiner Feuchtigkeit und keinem Regen ausgesetzt werden.

Ein Kurzschluss des Akkus kann zu elektrischen Strömen hoher Stärke, Überhitzung, Verbrennungen und sogar zu einer Zerstörung des Geräts führen.

6. Die Leuchte und der Akkublock dürfen nicht an Orten aufbewahrt werden, an denen Temperaturen von 50°C oder darüber erreicht werden können.

7. Auch schwer beschädigte oder völlig unbrauchbar gewordene Akkublocke dürfen nicht verbrannt werden. Ein Akkublock kann in den Flammen explodieren.

8. Lassen Sie den Akku nicht fallen und vermeiden Sie Schläge gegen den Akku.

9. Verwenden Sie niemals einen beschädigten Akku.

10. Befolgen Sie die in Ihrem Land geltenden Bestimmungen zur Entsorgung von Akkus.

11. Die enthaltenen Lithium-Ionen-Akkus unterliegen den gesetzlichen Bestimmungen über Gefahrgüter. Beim kommerziellen Transport durch Dritte, z. B. Speditionsunternehmen, sind die besonderen Verpackungs- und Kennzeichnungsvorschriften zu beachten.

Es ist unbedingt erforderlich, einen Fachmann für Gefahrstoffe bei der Vorbereitung der Ware für den Versand zu konsultieren. Bitte beachten Sie auch die geltenden nationalen Bestimmungen, die möglicherweise weitere Maßnahmen vorschreiben. Offene Kontakte müssen abgeklebt oder abgedeckt werden und der Akku muss so verpackt werden, dass er in der Verpackung nicht verrutschen kann.

ACHTUNG:

- Verwenden Sie ausschließlich Originalakkus von Makita.

Die Verwendung von Akkus anderer Hersteller als Makita oder von abgeänderten Akkus kann zu einer Explosion der Akkus und in Folge zu Feuer sowie Personen- und Sachschäden führen. Darüber hinaus verfällt die für das Werkzeug und Ladegerät von Makita gültige Makita-Garantie.

Tipps für eine maximale Nutzungsdauer von Akkus

1. Laden Sie den Akkublock auf, bevor der Akku vollständig entladen ist.
Beenden Sie stets den Betrieb der Leuchte und laden Sie den Akkublock auf, sobald Sie eine verringerte Leistung bemerken.

2. Ein voll aufgeladener Akkublock darf niemals erneut geladen werden. Durch Überladungen wird die Lebensdauer des Akkus verkürzt.
3. Laden Sie den Akkublock bei einer Zimmertemperatur von 10°C bis 40°C auf. Lassen Sie einen heißen Akkublock vor dem Aufladen abkühlen.
4. Laden Sie den Akkublock auf, wenn Sie diesen für längere Zeit nicht verwenden (länger als sechs Monate).

Bewahren Sie alle Warnhinweise und Anweisungen zum späteren Nachschlagen gut auf.

FUNKTIONSBESCHREIBUNG

Einsetzen und Entfernen des Akkublocks (Abb. 1)

ACHTUNG:

- Schalten Sie die Leuchte stets aus, bevor Sie den Akkublock einsetzen oder abnehmen.
- **Halten Sie die Leuchte und den Akkublock sicher fest, wenn Sie den Akkublock einsetzen oder abnehmen.** Andernfalls könnte Ihnen die Leuchte oder der Akkublock aus den Händen fallen, sodass die Leuchte oder der Akkublock beschädigt werden oder diese Verletzungen verursachen.

Zum Abnehmen des Akkublocks müssen Sie die Taste auf der Vorderseite des Akkublocks schieben und gleichzeitig den Akkublock aus der Leuchte herausziehen.

Zum Einsetzen des Akkublocks müssen Sie die Akkublockzunge zur inneren Gehäusenut ausrichten und den Akkublock in Position schieben. Setzen Sie den Akkublock ganz ein, bis er mit einem leisen Klick hörbar einrastet. Wenn Sie den roten Bereich oben auf der Taste sehen können, ist der Akkublock nicht ganz eingerastet.

ACHTUNG:

- Setzen Sie den Akkublock unbedingt ganz ein, bis der rote Bereich nicht mehr zu sehen ist. Andernfalls kann der Akkublock versehentlich aus der Leuchte fallen und Sie oder umstehende Personen verletzen.
- Wenden Sie beim Einsetzen des Akkublocks keine Gewalt an. Wenn der Akkublock nicht leicht hineingleitet, haben Sie ihn nicht richtig angesetzt.

Anzeigen der Restladung des Akkus (Abb. 2)

(Nur für Akkublocke mit einem „B“ am Ende der Modellnummer.)

Drücken Sie zum Anzeigen der Restladung des Akkus die Akkuprüftaste. Die Anzeigenlampen leuchten dann wenige Sekunden lang auf.

Anzeigenlampen		Verbleibende Akkuladung
Leuchtet	Aus	
■ ■ ■ ■	□	75% bis 100%
■ ■ ■ □	□	50% bis 75%
■ ■ □ □	□	25% bis 50%
■ □ □ □	□	0% bis 25%

HINWEIS:

- In Abhängigkeit von den Bedingungen bei Gebrauch und von der Umgebungstemperatur kann der angezeigte Ladezustand geringfügig vom tatsächlichen Ladezustand abweichen.

Tiefentladungsschutz

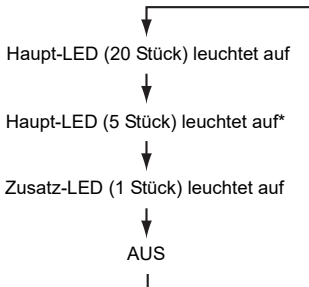
Sollte die Kapazität des Akkus nicht mehr ausreichend sein, schaltet sich das Licht selbsttätig aus. Entnehmen Sie in diesem Fall den Akku aus dem Werkzeug und laden Sie den Akku auf.

Bedienung des Lichtschalters (Abb. 3)

⚠️ ACHTUNG:

- Schauen Sie nicht direkt in die LED-Lampe oder in die Lichtquelle.

Drücken Sie den Lichtschalter wie nachfolgend dargestellt, um den Betriebsmodus zu ändern.



- * Die LEDs auf der Gegenseite des Lichtschalters leuchten auf.

Metallhaken (Abb. 4)

Drehen Sie den Metallhaken vor der Verwendung nach oben.

Der Haken kann um 360° gedreht und abgenommen werden.

Anschließen von USB-Geräten (Abb. 5)

⚠️ ACHTUNG:

- Schließen Sie nur Geräte an, die mit dem USB-Stromversorgungsanschluss kompatibel sind. Andernfalls kann es zu einer Funktionsstörung des Akkualters kommen.
- Diese Leuchte (mit Akku) kann als externe Stromquelle für USB-Geräte dienen.

Öffnen Sie die Abdeckung und verbinden Sie das USB-Kabel (nicht im Lieferumfang enthalten) mit dem Stromversorgungsanschluss des Akkualters. Verbinden Sie dann das andere Ende des Kabels mit dem Gerät. Drücken Sie den USB-Stromversorgungsschalter. Der Schalter leuchtet grün und der USB-Stromversorgungsanschluss (gemeinsam mit dem Akku) fängt an, eine 5-V-Gleichspannung mit höchstens 2,1 A zu liefern. Drücken Sie den USB-Stromversorgungsschalter erneut, um die Stromversorgung auszuschalten.

HINWEIS:

- Sichern Sie immer die Daten auf Ihrem USB-Gerät, bevor Sie das USB-Gerät an die Leuchte (mit Akku) anschließen. Ihre Daten könnten sonst möglicherweise durch unvorhersehbare Umstände verloren gehen.
- Die Leuchte kann möglicherweise einige USB-Geräte nicht mit Elektrizität versorgen.
- Schließen Sie die USB-Abdeckung und ziehen Sie das USB-Kabel ab, wenn Sie den USB-Port nicht benutzen oder wenn das Gerät aufgeladen ist.
- Um Akkustrom zu sparen, schaltet sich der USB-Stromversorgungsschalter automatisch aus, wenn 30 Minuten seit der letzten Stromversorgung verstrichen sind oder wenn die Stromversorgung 30 Minuten lang nicht verwendet wurde.
- Wenn die verbleibende Akkukapazität gering wird, schaltet sich der USB-Stromversorgungsschalter aus und die Stromversorgung wird eingestellt, um eine Überentladung des Akkus zu vermeiden. Laden Sie in diesem Fall den Akku auf oder tauschen Sie ihn mit einem neuen aus.

Befestigungsmagnet (optionales Zubehör) (Abb. 6, 7)

Bauen Sie den Befestigungsmagneten mittels Anziehen der Schraube an.

Wird das Werkzeug mithilfe des Befestigungsmagneten angebracht, sichern Sie den Befestigungsmagneten mit einem Schnur.

WARNUNG:

- Bringen Sie den Befestigungsmagneten nicht in die Nähe von Präzisionsinstrumenten wie Elektrogeräten, Uhren, Armbanduhren oder EC-Karten. Diese könnten durch die magnetischen Kräfte beeinträchtigt werden.
- Verwenden Sie den Befestigungsmagneten keinesfalls in der Nähe eines Herzschrittmachers. Andernfalls kann es zu Fehlfunktionen kommen!

HINWEIS:

Vor der Anbringung ist sicherzustellen, dass sich der Magnet zur betreffenden Metalloberfläche befestigen lässt, sowie dass genügend Platz für die Anbringung vorhanden ist. Nach der Anbringung ist eine sichere Befestigung des Werkzeugs sicherzustellen.

HINWEIS:

- Bleibt der Befestigungsmagnet über einen längeren Zeitraum am Material befestigt, kann die Materialoberfläche je nach Einsatzbedingungen Schaden nehmen.
- Den Magneten beim Abnehmen nicht verschieben! Die Oberfläche, auf welcher der Befestigungsmagnet angebracht ist, könnte Schaden nehmen.

WARTUNG

Zur Gewährleistung der Sicherheit und der Zuverlässigkeit des Produkts sollten alle Reparaturen und Wartungsarbeiten von einem durch Makita autorisierten Servicecenter durchgeführt werden.



ACHTUNG:

- Verwenden Sie zum Reinigen niemals Kraftstoffe, Benzin, Verdüner, Alkohol oder Ähnliches. Dies kann zu Verfärbungen, Verformungen oder Rissen führen.

SONDERZUBEHÖR



ACHTUNG:

Für die in diesem Handbuch beschriebene Leuchte von Makita werden die folgenden Zubehör- und Zusatzteile empfohlen. Die Verwendung anderer Zubehör- und Zusatzteile kann zu Personenschäden führen. Die Zubehör- und Zusatzteile dürfen nur auf ordnungsgemäße Weise für den Zweck verwendet werden, für den sie vorgesehen wurden.

- Schultergurt
- Befestigungsmagnet
- Original-Akku und Original-Ladegerät von Makita

HINWEIS:

- Einige der in der Liste aufgeführten Elemente sind dem Leuchtenpaket als Standardzubehör beigelegt. Diese können in den einzelnen Ländern voneinander abweichen.

Descrizione dei componenti

- | | | |
|--|----------------------------|---------------------------------------|
| 1. Batteria | 5. Pulsante di controllo | 9. Gancio metallico |
| 2. Pulsante di rilascio della batteria | 6. Interruttore della luce | 10. Interruttore di alimentazione USB |
| 3. Indicatore rosso | 7. LED principale (20 pz.) | 11. Porta di alimentazione USB |
| 4. Spie luminose | 8. LED secondario (1 pz.) | 12. Foro |

CARATTERISTICHE TECNICHE

Modello		ML104		
Caratteristiche principali				
Tensione		10,8 V CC - 12 V max		
LED		LED principale 0,5 W x 20 pz.		
		LED secondario 2,0 W x 1 pz.		
Alimentazione USB	Porta	Tipo USB A		
	Tensione di uscita	5 V CC		
	Corrente di uscita	2,1 A		
Durata in esercizio (circa)	Batteria standard	LED principale (20 pz.) quando acceso	LED principale (5 pz.) quando acceso	LED secondario (1 pz.) quando acceso
	BL1015, BL1016	2,0 ore	6,5 ore	7,0 ore
	BL1020B, BL1021B	2,5 ore	8,5 ore	9,5 ore
	BL1040B, BL1041B	5,5 ore	17 ore	19 ore
Dimensioni (con BL1040B)	con il gancio aperto	L 414 mm x P 66 mm x A 132 mm		
	con il gancio chiuso	L 360 mm x P 66 mm x A 101 mm		
Peso netto		0,61 - 0,78 kg		

- Le caratteristiche tecniche qui riportate sono soggette a modifiche senza preavviso in virtù della nostra continua attività di ricerca e sviluppo.
- Nota: Le caratteristiche tecniche possono differire da paese a paese.
- Il tempo di funzionamento può variare in base al tipo di batteria e alle condizioni di utilizzo.
- Il peso può variare in base agli accessori in uso, compresa la batteria. Le combinazioni più leggere e pesanti, in conformità alla procedura EPTA 01/2014, sono mostrate nella tabella.

Simboli

Di seguito sono riportati i simboli utilizzati per l'apparecchio.

È importante comprenderne il significato prima dell'uso.



..... Leggere il manuale di istruzioni.



..... Da utilizzare esclusivamente al chiuso



..... Radiazioni ottiche (UV e IR).
Minimizzare l'esposizione di occhi e pelle.



..... Non guardare direttamente la fonte luminosa in funzione.



..... Utilizzare un'appropriata schermatura o protezione per gli occhi.



..... Prestare particolare cura e attenzione!



..... Solo per le nazioni dell'EU
A causa della presenza di componenti pericolosi nelle apparecchiature, i rifiuti di apparecchiature elettriche ed elettroniche, accumulatori e batterie

potrebbero produrre un impatto negativo sull'ambiente e sulla salute umana.

Non smaltire elettrodomestici elettrici ed elettronici o batterie insieme ai rifiuti domestici!

In conformità alla direttiva europea sui rifiuti di apparecchiature elettriche ed elettroniche (RAEE), sugli accumulatori e le batterie, nonché sui rifiuti di accumulatori e batterie, e al suo adattamento alle normative nazionali, i rifiuti di apparecchiature elettriche ed elettroniche, batterie e accumulatori vanno conservati separatamente e conferiti a un punto di raccolta separato per i rifiuti comunali, operando in conformità alle normative per la protezione dell'ambiente.

Tale requisito viene indicato mediante il simbolo del bidone della spazzatura con ruote barrato apposto sull'apparecchio.

ISTRUZIONI IMPORTANTI PER LA SICUREZZA

⚠ AVVERTENZA: Durante l'utilizzo di apparecchi elettrici di illuminazione, è necessario adottare misure di sicurezza basilari per ridurre il rischio di incendi, scosse elettriche e lesioni personali, come ad esempio:

LEGGERE TUTTE LE ISTRUZIONI.

⚠ ATTENZIONE:

1. Quando l'apparecchio di illuminazione non è in uso, scollegare/rimuovere la batteria.
2. Non coprire l'apparecchio di illuminazione acceso con abiti, cartone e così via, onde evitare il pericolo di incendi.
3. Non utilizzare l'apparecchio di illuminazione in presenza di umidità o acqua. Non esporre l'apparecchio di illuminazione a pioggia o neve. Non immergere in acqua.
4. Non utilizzare l'apparecchio di illuminazione in ambienti esplosivi, ad esempio in presenza di liquidi, gas o polveri infiammabili.
5. Non osservare direttamente la luce a LED o la fonte luminosa.

La lampadina è stata classificata come Gruppo di rischio 2.

- a) La lampadina o il sistema di lampadine supera il Gruppo di Esenzione e il rischio relativo a chi visualizza dipende da come viene installato e utilizzato il prodotto dagli utenti;
- b) Il rischio di radiazione ottica più restrittivo e gli altri rischi di radiazione ottica in eccesso del Gruppo di Esenzione.
- c) Assemblaggio, installazione, manutenzione corretti e uso sicuro, compresi gli avvisi chiari riguardanti le precauzioni per evitare possibili esposizioni a radiazioni ottiche pericolose.
- d) Consiglio sulle procedure operative sicure e sugli avvisi riguardanti le pratiche improprie ragionevolmente prevedibili, i malfunzionamenti e le modalità di guasto pericolose.
- e) AVVISI: Questo prodotto emette UV e IR.
- f) AVVERTENZA: Questo prodotto emette IR.
- g) ATTENZIONE: Questo prodotto emette radiazioni ottiche potenzialmente pericolose.
- h) Minimizzare l'esposizione di occhi e pelle. Utilizzare una schermatura appropriata.
- i) Utilizzare un'appropriata schermatura o protezione per gli occhi.
- j) Non osservare direttamente la lampadina in funzione. Potrebbe danneggiare la vista.
- k) L'esposizione potrebbe danneggiare gli occhi o la pelle. Evitare l'esposizione degli occhi.

Sicurezza elettrica

1. Non inserire chiodi, fili, ecc. nella porta di alimentazione USB. In caso contrario, un corto circuito potrebbe provocare fumo e incendi.
2. Non collegare l'alimentazione alla porta USB. In caso contrario potrebbe scoppiare un incendio. La porta USB è utilizzabile soltanto per ricaricare dispositivi di tensione inferiore. Quando questi ultimi non sono in

carica, posizionare sempre il coperchio sulla porta USB.

Uso e cura della batteria dell'apparecchio di illuminazione

1. Effettuare la ricarica esclusivamente con il caricabatterie specificato dal produttore. Un caricabatterie adatto per uno specifico tipo di batteria potrebbe provocare un pericolo di incendio se utilizzato con un'altra batteria.
2. Utilizzare l'apparecchio di illuminazione solo con le batterie specificate. L'uso di batterie diverse può far sorgere il rischio di infortuni o incendi.
3. La batteria, se non è in uso, deve essere tenuta lontana da altri oggetti in metallo quali graffette, monete, chiavi, chiodi, viti o altri piccoli oggetti metallici che possano stabilire un contatto tra un polo e l'altro. Un cortocircuito dei poli della batteria potrebbe causare ustioni o incendi.
4. L'uso improprio può provocare la fuoriuscita del liquido della batteria; evitare il contatto con tale liquido. In caso di contatto accidentale, sciacquare abbondantemente con acqua. Se il liquido entra in contatto con gli occhi, consultare un medico. Il liquido della batteria può causare irritazioni o ustioni.

ISTRUZIONI DI SICUREZZA IMPORTANTI PER LA BATTERIA

1. Prima di utilizzare la batteria, leggere tutte le istruzioni e gli avvisi di sicurezza relativi a (1) caricabatterie, (2) batteria e (3) prodotto alimentato a batteria.
2. Non smontare la batteria.
3. Se il tempo di funzionamento diventa eccessivamente breve, interrompere immediatamente l'uso. Potrebbero verificarsi surriscaldamenti, ustioni o esplosioni.
4. In caso di contatto dell'elettrolita con gli occhi, sciacquare con acqua fresca e consultare immediatamente un medico. Potrebbero verificarsi danni permanenti alla vista.
5. Non cortocircuitare la batteria:
 - (1) Non toccare i poli con materiali conduttori.
 - (2) Evitare di conservare la batteria in un contenitore con altri oggetti metallici come chiodi, monete, ecc.
 - (3) Non esporre la batteria all'acqua o alla pioggia. Un cortocircuito della batteria può causare un elevato flusso di corrente con conseguenti surriscaldamenti, possibili ustioni e persino guasti.
6. Non conservare l'apparecchio di illuminazione e la batteria in ambienti in cui la temperatura possa raggiungere o superare i 50°C.
7. Non smaltire la batteria nel fuoco, anche se gravemente danneggiata o del tutto esausta. Se esposta al fuoco, la batteria può esplodere.
8. Non far cadere né colpire la batteria.
9. Non utilizzare batterie danneggiate.
10. Osservare le normative locali sullo smaltimento delle batterie.
11. Le batterie agli ioni di litio contenute nel dispositivo sono soggette ai requisiti di legge relativi a merci pericolose. Per il trasporto commerciale, ad esempio da parte di terzi o di spedizionieri, si devono osservare

requisiti speciali di imballaggio ed etichettatura. Durante la preparazione dell'articolo da spedire, è necessario consultare un esperto di materiali pericolosi. Si prega di osservare anche eventuali norme nazionali maggiormente dettagliate. Applicare del nastro adesivo sui contatti aperti e imballare la batteria in modo tale che non possa muoversi all'interno dell'imballaggio.

⚠ ATTENZIONE:

- Utilizzare esclusivamente batterie originali Makita. L'utilizzo di batterie non originali Makita o di batterie modificate potrebbe dare luogo all'esplosione della batteria, con conseguenti incendi, lesioni personali e danni. Inoltre, tale utilizzo determina l'annullamento della garanzia Makita per l'utensile e il caricabatterie Makita.

Suggerimenti per prolungare la durata della batteria

- Caricare la batteria prima che sia completamente scarica. Interrompere il lavoro e caricare la batteria se si nota una diminuzione di potenza dell'apparecchio di illuminazione.
- Non ricaricare una batteria completamente carica. Una ricarica eccessiva riduce la vita utile della batteria.
- Caricare la batteria a una temperatura ambiente compresa tra 10°C e 40°C. Attendere il raffreddamento della batteria prima di caricarla.
- Caricare la batteria qualora non venga utilizzata per un lungo periodo (superiore a sei mesi).

Conservare tutte le avvertenze e le istruzioni per consultarle in futuro.

DESCRIZIONE FUNZIONALE

Inserimento o rimozione della batteria (Fig. 1)

⚠ ATTENZIONE:

- Spegnere sempre l'apparecchio di illuminazione prima di inserire o rimuovere la batteria.
- Tenere saldamente l'apparecchio di illuminazione e la batteria durante l'inserimento o la rimozione della batteria stessa.** In caso contrario potrebbero scivolare dalle mani, causando danni all'apparecchio di illuminazione e alla batteria o lesioni personali.

Per rimuovere la batteria, è sufficiente estrarla dall'apparecchio di illuminazione facendo scorrere il pulsante sulla parte anteriore della batteria. Per inserire la batteria, allineare la linguetta sulla batteria con la scanalatura nell'alloggiamento e farla scorrere in posizione. Inserirla a fondo fino a bloccarla in posizione con uno scatto. Se sul lato superiore del pulsante è visibile l'indicatore rosso, la batteria non è completamente inserita.

⚠ ATTENZIONE:

- Inserire sempre a fondo la batteria, fino alla scomparsa dell'indicatore rosso. In caso contrario, la batteria

potrebbe fuoriuscire accidentalmente dall'apparecchio di illuminazione, provocando danni all'operatore o a eventuali osservatori.

- Non forzare l'inserimento della batteria. Se la batteria non scorre agevolmente, significa che la manovra di inserimento non è corretta.

Indicazione della capacità residua della batteria (Fig. 2)

(Solo per batterie il cui codice modello termina con "B"). Premere il pulsante di controllo sulla batteria per visualizzare la capacità residua della batteria. Le spie luminose si illuminano per qualche secondo.

Spie luminose		Capacità residua
Accesa	Spenta	
■ ■ ■ ■		Dal 75% al 100%
■ ■ ■ □		Dal 50% al 75%
■ ■ □ □		Dal 25% al 50%
■ □ □ □		Dal 0% al 25%

NOTA:

- Il valore indicato potrebbe variare leggermente dalla capacità effettiva in base alle condizioni di utilizzo e alla temperatura ambientale.

Protezione dall'eccessivo scaricamento

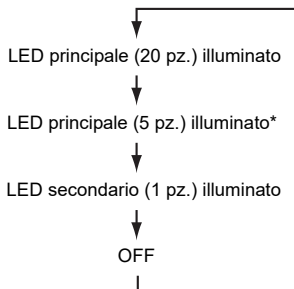
Se la capacità della batteria è insufficiente, la luce si spegne automaticamente. In questo caso, rimuovere la batteria dall'utensile e caricarla.

Funzionamento dell'interruttore della luce (Fig. 3)

⚠ ATTENZIONE:

- Non osservare direttamente la luce a LED o la fonte luminosa.

Per cambiare la modalità, premere l'interruttore della luce come indicato di seguito.



* I LED sul lato opposto dell'interruttore della luce si illuminano.

Gancio metallico (Fig. 4)

Sollevare il gancio metallico in alto prima di utilizzarlo.

Il gancio può essere ruotato di 360° e rimosso.

Collegamento di dispositivi USB (Fig. 5)

ATTENZIONE:

- Collegare esclusivamente dispositivi compatibili con la porta di alimentazione USB. In caso contrario, potrebbero verificarsi problemi di funzionamento del vano batteria.

Questo apparecchio di illuminazione (con la batteria) può funzionare come alimentazione esterna per i dispositivi USB.

Aprire il coperchio e collegare il cavo USB (non in dotazione) alla porta di alimentazione del vano batteria. Successivamente, collegare l'altra estremità del cavo al dispositivo.

Premere l'interruttore di alimentazione USB. L'interruttore si accende in verde e la porta di alimentazione USB (con la batteria) inizia a erogare una tensione massima di 5 V CC, 2,1 A. Premere nuovamente l'interruttore di alimentazione USB per interrompere l'alimentazione di corrente.

NOTA:

- Prima di collegare il dispositivo USB all'apparecchio di illuminazione (con la batteria), eseguire sempre il backup dei dati del dispositivo USB. In caso contrario, i dati potrebbero andare persi senza possibilità di recupero.
- L'apparecchio di illuminazione potrebbe non essere in grado di fornire alimentazione ad alcuni dispositivi USB.
- Quando non è in uso o dopo il caricamento, rimuovere il cavo USB e chiudere il coperchio.
- Per risparmiare la carica della batteria, l'interruttore di alimentazione USB si spegnerà in automatico se: sono passati 30 minuti dalla fine dell'alimentazione; oppure, non c'è alimentazione per 30 minuti.
- Se la batteria restante diminuisce, l'interruttore di alimentazione USB si spegne e l'alimentazione si interrompe al fine di evitare l'eccessivo scaricamento della batteria. In tal caso, caricare la batteria o sostituirla con una nuova.

Accessorio magnetico (accessorio opzionale) (Fig. 6, 7)

Fissare l'accessorio magnetico serrando la vite. Quando si utilizza l'utensile con l'accessorio magnetico, impiegare un cordino per fissare l'accessorio magnetico.

AVVERTENZA:

- Non portare l'accessorio magnetico vicino a un dispositivo di precisione come un dispositivo elettrico, un orologio, o una smart card. La forza magnetica potrebbe infatti danneggiarli.
- Non usare l'accessorio magnetico vicino a pacemaker cardiaci. Esiste un pericolo di malfunzionamento.

AVVISO:

Prima dell'utilizzo, assicurarsi che il magnete possa essere applicato al metallo desiderato, e che ci sia spazio sufficiente per l'applicazione. Dopo l'utilizzo, accertarsi che l'utensile sia fissato saldamente.

AVVISO:

- Se l'accessorio magnetico resta attaccato al materiale a lungo, la superficie del materiale potrebbe risultare danneggiata, a seconda delle condizioni d'uso.
- Quando si stacca l'accessorio magnetico, non farlo scorrere. La superficie al quale l'accessorio magnetico è attaccato potrebbe essere danneggiata.

MANUTENZIONE

Per garantire la sicurezza e l'affidabilità del prodotto, le riparazioni e la manutenzione devono essere effettuate presso un centro assistenza autorizzato Makita.

ATTENZIONE:

- Evitare assolutamente di usare benzina, diluenti, solventi, alcol o sostanze simili. In caso contrario, potrebbero verificarsi scoloriture, deformazioni o incrinature.

ACCESSORI OPZIONALI

ATTENZIONE:

Gli accessori riportati di seguito sono quelli consigliati per l'uso con l'apparecchio di illuminazione Makita descritto in questo manuale. L'uso di qualsiasi altro accessorio potrebbe provocare danni alle persone. Gli accessori devono essere utilizzati esclusivamente per lo scopo per cui sono previsti e con le modalità d'uso appropriate.

- Tracolla
- Accessorio magnetico
- Batteria e caricabatterie originali Makita

NOTA:

- Alcuni degli accessori elencati potrebbero essere inclusi nella confezione dell'apparecchio di illuminazione come accessori standard. Gli accessori standard possono differire da Paese a Paese.

Beschrijving van de onderdelen

- | | | |
|-----------------------|-------------------------|----------------------------|
| 1. Accu | 5. Testknop | 9. Metalen haak |
| 2. Accuontgrendelknop | 6. Lampschakelaar | 10. USB-voedingsschakelaar |
| 3. Rode deel | 7. Hoofd-LED (20 stuks) | 11. USB-voedingspoort |
| 4. Indicatorlampjes | 8. Hulp-LED (1 stuk) | 12. Opening |

TECHNISCHE GEGEVENS

Belangrijkste kenmerken		Model			ML104		
Spanning		10,8 V gelijkstroom - 12 V max					
LED		Hoofd-LED 0,5 W x 20 stuks					
		Hulp-LED 2,0 W x 1 stuks					
USB-voeding	Poort	Type USB A					
	Uitgangsspanning	5 V gelijkstroom					
	Uitgangsstroomsterkte	2,1 A					
Gebruikstijd (ongeveer)	Standaardaccu	Hoofd-LED (20 stuks) brandend	Hoofd-LED (5 stuks) brandend	Hulp-LED (1 stuk) brandend			
	BL1015, BL1016	2,0 uur	6,5 uur	7,0 uur			
	BL1020B, BL1021B	2,5 uur	8,5 uur	9,5 uur			
	BL1040B, BL1041B	5,5 uur	17 uur	19 uur			
Afmetingen (met BL1040B)	met de haak rechtop	l 414 mm x b 66 mm x h 132 mm					
	met de haak opgeborgen	l 360 mm x b 66 mm x h 101 mm					
Nettogewicht		0,61 - 0,78 kg					

- Als gevolg van continu(e) onderzoek en ontwikkeling, zijn de technische gegevens van dit apparaat onderhevig aan veranderingen zonder voorafgaande kennisgeving.
- Opmerking: De technische gegevens kunnen van land tot land verschillen.
- De gebruikstijd kan variëren afhankelijk van het type accu en de gebruiksomstandigheden.
- Het gewicht kan verschillen afhankelijk van het/de hulpstuk(ken), waaronder de accu. De lichtste en zwaarste combinatie, volgens EPTA-Procedure 01/2014, worden vermeld in de tabel.

Symbolen

Hieronder staan de symbolen die voor het apparaat worden gebruikt.

Zorg ervoor dat u weet wat ze betekenen alvorens het apparaat te gebruiken.



..... Lees de gebruiksaanwijzing.



..... Alleen voor gebruik binnenshuis



..... Optische straling (UV en IR).
Minimaliseer blootstelling aan de ogen en huid.



..... Kijk niet langdurig recht in de lichtbron.



..... Gebruik geschikte afscherming of oogbescherming.



..... Besteed bijzondere zorg en aandacht!



..... Alleen voor EU-landen
Als gevolg van de aanwezigheid van schadelijke componenten in het apparaat, kunnen oude elektrische en elektronische apparaten, accu's en

batterijen negatieve gevolgen hebben voor het milieu en de gezondheid van mensen.

Gooi elektrische en elektronische apparaten en accu's niet met het huisvuil weg!

In overeenstemming met de Europese richtlijn inzake oude elektrische en elektronische apparaten en inzake accu's en batterijen en oude accu's en batterijen, alsmede de toepassing daarvan binnen de nationale wetgeving, dienen oude elektrische apparaten, accu's en batterijen gescheiden te worden opgeslagen en te worden ingeleverd bij een apart inzamelingspunt voor huishoudelijk afval dat de milieubeschermingsvoorschriften in acht neemt.

Dit wordt op het apparaat aangegeven door het symbool van een doorgekruiste afvalcontainer.

BELANGRIJKE VEILIGHEIDSINSTRUCTIES

⚠ WAARSCHUWING: Tijdens het gebruik van elektrische verlichtingsapparaten dienen altijd de basisveiligheidsvoorzorgen te worden genomen om het risico van brand, elektrische schokken en persoonlijk letsel te verkleinen, waaronder de volgende:

LEES ALLE INSTRUCTIES.

⚠ LET OP:

1. Als het verlichtingsapparaat niet in gebruik is, dient u het altijd uit te schakelen en de stekker uit het stopcontact te trekken of de accu uit het verlichtingsapparaat te halen.
2. Bedek of blokkeer het verlichtingsapparaat niet terwijl deze aan is met een doek, stuk karton, enz. Door hem af te dekken of te blokkeren, kan brand ontstaan.
3. Gebruik het verlichtingsapparaat niet op vochtige of natte plaatsen. Stel het verlichtingsapparaat niet bloot aan regen of sneeuw. Was hem niet met water.
4. Gebruik het verlichtingsapparaat niet in een omgeving met explosiegevaar, zoals een omgeving met explosieve vloeistoffen, gassen of stof.
5. Kijk niet rechtstreeks in de LED-lamp of naar de bron van het licht.

De lamp is geclassificeerd in risicogroep 2.

- a) De lamp of het lampsysteem valt buiten de Uitzonderingsgroep en het risico voor mensen die in het lamplicht kijken wordt bepaald door hoe de gebruiker het apparaat monteert en gebruikt.
- b) Het meest beperkende gevaar voor optische straling en overige gevaren voor optische straling die buiten de Uitzonderingsgroep vallen.
- c) Correcte assemblage, montage, onderhoud en veilig gebruik, inclusief duidelijke waarschuwingen over voorzorgsmaatregelen ter voorkoming van mogelijke blootstelling aan gevaarlijke optische straling.
- d) Advies over veilig gebruikprocedures en waarschuwingen tegen redelijkerwijs voorspelbaar verkeerd gebruik, storingen en gevaarlijke defecten.
- e) KENNISGEVING: Ultraviolet- en infraroodstraling voortgebracht door dit apparaat.
- f) WAARSCHUWING: Infraroodstraling voortgebracht door dit apparaat.
- g) LET OP: Mogelijk gevaarlijke optische straling voortgebracht door dit apparaat.
- h) Minimaliseer blootstelling aan de ogen en huid. Gebruik geschikte afscherming.
- i) Gebruik geschikte afscherming of oogbescherming.
- j) Kijk niet in de lamp terwijl deze aan is. Dit kan schadelijk zijn voor uw ogen.
- k) Blootstelling kan leiden tot oog- of huidirritatie. Vermijd blootstelling aan de ogen.

Elektrische veiligheid

1. Steek geen spijker, draad, enz. in de USB-voedingspoort. Als u dat toch doet, kan kortsluiting leiden tot rookontwikkeling en brand.
2. Sluit geen stroombron aan op de USB-poort. Als u dat toch doet, bestaat de kans op brand. De USB-poort is alleen bedoeld voor het opladen van een

laagspanningsapparaat. Plaats altijd de afdekking terug op de USB-poort wanneer geen laagspanningsapparaat wordt opgeladen.

Gebruik en onderhoud van het verlichtingsapparaat

1. Laad alleen op met de acculader aanbevolen door de fabrikant. Een acculader die geschikt is voor een bepaald type accu, kan brandgevaar opleveren indien gebruikt met een ander type accu.
2. Gebruik het verlichtingsapparaat uitsluitend met de daarvoor bestemde accu. Als u een andere accu erin gebruikt, kan dit leiden tot persoonlijk letsel of brand.
3. Als de accu niet wordt gebruikt, houdt u deze uit de buurt van metalen voorwerpen zoals paperclips, muntgeld, sleutels, schroeven en andere kleine metalen voorwerpen die een kortsluiting kunnen veroorzaken tussen de accupolen. Kortsluiting tussen de accupolen kan leiden tot brandwonden of brand.
4. Onder zware gebruiksomstandigheden kan vloeistof uit de accu komen. Voorkom aanraking. Als u deze vloeistof per ongeluk aanraakt, wast u dit goed af met water. Als de vloeistof in uw ogen komt, raadpleegt u tevens een arts. Vloeistof uit de accu kan irritatie en brandwonden veroorzaken.

BELANGRIJKE VEILIGHEIDSINSTRUCTIES VOOR ACCU'S

1. Alvorens de accu in gebruik te nemen, leest u eerst alle instructies en waarschuwingsofschriften op (1) de acculader, (2) de accu en (3) het apparaat waarin de accu wordt aangebracht.
2. Haal de accu niet uit elkaar.
3. Als de gebruikstijd aanzienlijk korter is geworden, stopt u onmiddellijk met het gebruik. Anders kan dit leiden tot kans op oververhitting, mogelijke brandwonden en zelfs een explosie.
4. Als de elektrolyt in uw ogen komt, wast u deze uit met schoon water en raadpleegt u onmiddellijk een arts. Dit kan leiden tot verlies van gezichtsvermogen.
5. Sluit de accu niet kort:
 - (1) Raak de accupolen niet aan met enig geleidend materiaal.
 - (2) Bewaar de accu niet op een plaats waar deze in aanraking kan komen met andere metalen voorwerpen, zoals spijkers, munten, enz.
 - (3) Stel de accu niet bloot aan water of regen.Kortsluiting van de accu kan leiden tot een hoge stroomsterkte, oververhitting, mogelijke brandwonden en zelfs een defect.
6. Bewaar het verlichtingsapparaat en de accu niet op plaatsen waar de temperatuur kan oplopen tot 50°C of hoger.
7. Werp de accu niet in een vuur, zelfs niet als deze al ernstig beschadigd of helemaal versleten is. De accu kan in een vuur exploderen.
8. Wees voorzichtig dat u de accu niet laat vallen of ergens tegenaan stoot.
9. Gebruik nooit een beschadigde accu.
10. Houd u aan de plaatselijke regelgeving aangaande het weggoien van de accu.

11. De bijgeleverde lithium-ionbatterijen zijn onderhevig aan de vereisten in de wetgeving omtrent gevaarlijke stoffen. Voor commercieel transport, bijvoorbeeld door derden of transporteurs, moeten speciale vereisten ten aanzien van de verpakking en etikettering worden nageleefd.

Om het apparaat op transport voor te bereiden is het noodzakelijk een expert op het gebied van gevaarlijke stoffen te raadplegen. Houd u tevens aan mogelijk strengere nationale regelgeving. Blootliggende contactpunten moeten worden afgedekt met tape en de accu moet zodanig worden verpakt dat deze niet kan bewegen in de verpakking.

⚠ LET OP:

- Gebruik uitsluitend originele accu's van Makita. Het gebruik van een andere accu dan een originele accu van Makita, of van een gewijzigde accu, kan ertoe leiden dat de accu barst en brand, persoonlijk letsel en schade veroorzaakt. Bovendien vervalt dan de garantie van Makita op het gereedschap en de acculader van Makita.

Tips voor een lange levensduur van de accu

1. Laad de accu op voordat deze volledig leeg is. Wanneer u merkt dat het verlichtingsapparaat minder lichtvermogen heeft, stopt u met het gebruik ervan en laadt u eerst de accu op.
2. Laad nooit een volledig opgeladen accu op. Te lang opladen verkort de levensduur van de accu.
3. Laad de accu op bij een omgevingstemperatuur van 10°C tot 40°C. Laat een warme accu eerst afkoelen voordat u deze oplaadt.
4. Als de accu gedurende een lange tijd (meer dan zes maanden) niet gebruikt, laadt u deze eerst op alvorens deze te gebruiken.

Bewaar alle waarschuwingen en instructies om in de toekomst te kunnen raadplegen.

BESCHRIJVING VAN DE FUNCTIES

De accu aanbrengen en verwijderen (zie afb. 1)

⚠ LET OP:

- Schakel het verlichtingsapparaat altijd uit voordat u de accu aanbrengt of verwijdert.
- **Houd het verlichtingsapparaat en de accu stevig vast tijdens het aanbrengen of verwijderen van de accu.** Als u het verlichtingsapparaat en de accu niet stevig vasthoudt, kunnen deze uit uw handen glijpen en beschadigd raken, of kan persoonlijk letsel worden veroorzaakt.

Om de accu te verwijderen verschuift u de knop aan de voorkant van de accu en schuift u tegelijkertijd de accu van het verlichtingsapparaat af.

Om de accu aan te brengen, lijnt u de lip op de accu uit met de groef in de behuizing en duwt u de accu op zijn plaats. Steek de accu zo ver mogelijk erin tot u een

klikgeluid hoort. Als u het rode deel aan de bovenkant van de knop kunt zien, is de accu niet goed aangebracht.

⚠ LET OP:

- Breng de accu altijd helemaal aan totdat het rode deel niet meer zichtbaar is. Als u dit niet doet, kan de accu per ongeluk uit het verlichtingsapparaat vallen en letsel veroorzaken bij u of anderen in uw omgeving.
- Breng de accu niet met kracht aan. Als de accu niet gemakkelijk erin kan worden geschoven, wordt deze niet goed aangebracht.

Aanduiding van de resterende acculading (zie afb. 2)

(Alleen voor accu's met een "B" aan het einde van het modelnummer.)

Druk op de testknop op de accu om de resterende accucapaciteit af te lezen. De indicatorlampjes branden gedurende enkele seconden.

Indicatorlampjes		Resterende acculading
Brandt	Uit	
■ ■ ■ ■		75% tot 100%
■ ■ ■ □		50% tot 75%
■ ■ □ □		25% tot 50%
■ □ □ □		0% tot 25%

OPMERKING:

- Afhankelijk van de gebruiksomstandigheden en de omgevingstemperatuur, is het mogelijk dat de aangegeven acculading verschilt van de werkelijke acculading.

Beveiliging tegen te ver ontladen

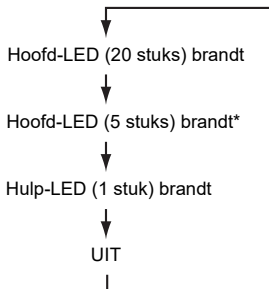
Als de acculading onvoldoende is, gaat de lamp automatisch uit. In dit geval verwijdert u de accu vanaf het gereedschap en laadt u de accu op.

Werking van de lamschakelaar (zie afb. 3)

⚠ LET OP:

- Kijk niet rechtstreeks in de LED-lamp of naar de bron van het licht.

Druk op de lamschakelaar om de functies te doorlopen, zoals hieronder aangegeven.



* De LED's tegenover de lamschakelaar branden.

Metalen haak (zie afb. 4)

Klap de metalen haak omhoog voordat u hem gebruikt. De haak kan 360° worden gedraaid en verwijderd.

USB-apparaten aansluiten (zie afb. 5)

⚠ LET OP:

- Sluit uitsluitend apparaten aan die compatibel zijn met de USB-voedingspoort. Als u zich hier niet aan houdt, kan een storing optreden in de accuhouder.

Dit verlichtingsapparaat (met de accu) kan worden gebruikt als een externe voeding voor USB-apparaten. Open de afdekking en sluit de USB-kabel (niet bijgeleverd) aan op de voedingspoort van de accuhouder. En sluit daarna het andere uiteinde van de kabel aan op het apparaat.

Druk op de USB-voedingsschakelaar. De schakelaar licht groen op en de USB-voedingspoort (op de accu) levert maximaal 5 V gelijkspanning van 2,1 A. Druk nogmaals op de USB-voedingsschakelaar om de voeding uit te schakelen.

OPMERKING:

- Alvorens een USB-apparaat aan te sluit op het verlichtingsapparaat (met de accu), maakt u altijd eerst een reservekopie van de gegevens op het USB-apparaat. Als u dat niet doet, kunnen uw gegevens per ongeluk verloren gaan.
- Mogelijk levert het verlichtingsapparaat geen stroom aan sommige USB-apparaten.
- Als u de voedingspoort niet gebruikt en nadat het opladen klaar is, trekt u de USB-kabel eruit en sluit u de afdekking.
- Om acculading te besparen wordt de USB-voedingsschakelaar automatisch uitgeschakeld in het geval 30 minuten verstreken zijn sinds het leveren van voeding is beëindigd, of gedurende langer dan 30 minuten geen voeding is geleverd.
- Als de resterende acculading lager wordt, wordt de USB-voedingsschakelaar uitgeschakeld en stopt het leveren van voeding om te voorkomen dat de accu te ver ontladen wordt. In dat geval laadt u de accu op of vervangt u hem door een nieuwe.

Magneetbevestiging (los verkrijgbaar) (zie afb. 6 en 7)

Breng de magneetbevestiging aan door de schroef vast te draaien.

Wanneer u het gereedschap aanbrengt met de magneetbevestiging, gebruikt u een tuwtje om de magneetbevestiging te zekeren.

WAARSCHUWING:

- Houd de magneetbevestiging niet dichtbij precisieapparatuur, zoals een elektronisch apparaat, klok, horloge of printplaat.. De magneetkracht kan deze beïnvloeden.
- Gebruik de magneetbevestiging niet in de buurt van een pacemaker. De kans op storing bestaat.

KENNISGEVING:

Controleer alvorens te bevestigen of de magneet aan het gewenste metaal kan worden bevestigd, en of er voldoende ruimte is voor de bevestiging. Verzeker u na het bevestigen ervan dat het gereedschap stevig bevestigd is.

KENNISGEVING:

- Als de magneetbevestiging langdurig aan een materiaal is bevestigd, kan het oppervlak van het materiaal worden beschadigd afhankelijk van de gebruiksomstandigheden.
- Bij het losmaken van de magneetbevestiging, mag u dit niet verschuiven. Het oppervlak waaraan de magneetbevestiging is bevestigd, kan worden beschadigd.

ONDERHOUD

Voor het behoud van de productveiligheid en betrouwbaarheid, dienen reparaties en onderhoud te worden uitgevoerd door een erkend Makita-servicecentrum.

⚠ LET OP:

- Gebruik nooit benzine, wasbenzine, thinner, alcohol, enz. Dit kan leiden tot verkleuren, vervormen of barsten.

VERKRIJGBARE ACCESSOIRES

⚠ LET OP:

Deze accessoires of hulpstukken worden aanbevolen voor gebruik met het Makita-verlichtingsapparaat dat in deze gebruiksaanwijzing wordt beschreven. Bij gebruik van andere accessoires of hulpstukken bestaat het gevaar van persoonlijke letsels. De accessoires en hulpstukken dienen uitsluitend op de juiste en bedoelde wijze te worden gebruikt.

- Schouderriem
- Magneetbevestiging
- Originele Makita-accu en -lader

OPMERKING:

- Sommige items op de lijst kunnen zijn inbegrepen in de doos van het verlichtingsapparaat als standaard toebehoren. Zij kunnen van land tot land verschillen.

Descripción de las piezas

- | | | |
|--------------------------------------|------------------------------|--|
| 1. Cartucho de la batería | 6. Interruptor de la lámpara | 10. Interruptor de la fuente de alimentación USB |
| 2. Botón de liberación de la batería | 7. LED principal (20 piezas) | 11. Puerto de fuente de alimentación USB |
| 3. Indicador rojo | 8. LED secundario (1 pieza) | 12. Orificio |
| 4. Luces indicadoras | 9. Gancho metálico | |
| 5. Botón de comprobación | | |

ESPECIFICACIONES

Modelo		ML104		
Características principales				
Voltaje		10,8 V CC - 12 V máx		
LED		LED principal 0,5 W x 20 piezas		
		LED secundario 2,0 W x 1 pieza		
Fuente de alimentación USB	Puerto	USB tipo A		
	Tensión de salida	5 V CC		
	Corriente de salida	2,1 A		
Tiempo de funcionamiento (aproximadamente)	Cartucho de la batería estándar	LED principal (20 piezas) cuando está encendido	LED principal (5 piezas) cuando está encendido	LED secundario (1 pieza) cuando está encendido
	BL1015, BL1016	2,0 horas	6,5 horas	7,0 horas
	BL1020B, BL1021B	2,5 horas	8,5 horas	9,5 horas
	BL1040B, BL1041B	5,5 horas	17 horas	19 horas
Dimensiones (con BL1040B)	con el gancho desplegado	Largo 414 mm x Ancho 66 mm x Alto 132 mm		
	con el gancho plegado	Largo 360 mm x Ancho 66 mm x Alto 101 mm		
Peso neto		0,61 - 0,78 kg		

- Debido a nuestras continuas investigaciones y desarrollos, las especificaciones aquí descritas están sujetas a cambios in previo aviso.
- Nota: Las especificaciones pueden ser diferentes de un país a otro.
- El tiempo de funcionamiento puede diferir en función del tipo de batería y la condición de uso.
- El peso puede diferir en función de los accesorios, incluyendo el cartucho de la batería. En la tabla se muestran la combinación más ligera y la más pesada, de acuerdo con el Procedimiento EPTA 01/2014.

Símbolos

Se utilizan los siguientes símbolos para el equipo. Asegúrese de que comprende su significado antes del uso.



..... Sólo para países de la Unión Europea
Debido a la presencia de componentes peligrosos en el equipo, el equipo eléctrico y electrónico, los acumuladores y las baterías desechados pueden tener un impacto negativo para el medioambiente y la salud humana.
¡No tire los aparatos eléctricos y electrónicos ni las baterías junto con los residuos domésticos!
De conformidad con las Directivas Europeas sobre residuos de aparatos eléctricos y electrónicos y sobre acumuladores y baterías y residuos de acumuladores y baterías, así como la adaptación de las mismas a la ley nacional, el equipo eléctrico, las baterías y los acumuladores desechados deberán ser almacenados por separado y trasladados a un punto distinto de recogida de desechos municipales, que cumpla con los



..... Lea el manual de instrucciones.



..... Para uso en interiores solamente



..... Radiación óptica (UV e IR).
Minimice la exposición a los ojos o la piel.



..... No mire directamente a la fuente de luz en funcionamiento.



..... Utilice una protección adecuada o protección para los ojos.



..... ¡Preste especial cuidado y atención!

reglamentos sobre protección medioambiental.
Esto se indica mediante el símbolo de cubo de basura tachado colocado en el equipo.

INSTRUCCIONES IMPORTANTES DE SEGURIDAD

⚠️ ADVERTENCIA: Cuando se utilicen luminarias eléctricas siempre deben tomarse precauciones de seguridad para reducir el riesgo de incendio, descargas eléctricas y lesiones personales, incluyendo las siguientes:

LEA TODAS LAS INSTRUCCIONES.

⚠️ PRECAUCIÓN:

1. Cuando no utilice la luminaria, apáguela siempre y desenchufe/extraiga el cartucho de la batería de la luminaria.
2. No cubra ni tape la luminaria encendida con trapos, cartones, etc. Si la cubre o la obstruye, puede provocar un incendio.
3. No utilice la luminaria en lugares húmedos o mojados. No exponga la luminaria a la lluvia o a la nieve. No la limpie con agua.
4. No utilice la luminaria en atmósferas explosivas, tales como aquellas en las que haya presencia de polvo, gases o líquidos inflamables.
5. No mire hacia la linterna luminiscente ni mire directamente hacia la fuente de luz.

La lámpara se ha clasificado en el Grupo de riesgo 2.

- a) La lámpara o el sistema de la lámpara supera el Grupo exento y el riesgo relacionado con el visor depende de cómo los usuarios instalen y usen el producto;
- b) El riesgo por radiación óptica más restrictivo y otros riesgos por radiación óptica que exceden el Grupo exento.
- c) Un montaje, una instalación y un mantenimiento correctos, y un uso seguro, incluyendo advertencias claras acerca de las precauciones para evitar posibles exposiciones a radiaciones ópticas peligrosas.
- d) Consejo sobre procedimientos de uso seguro y advertencias relativas a malas prácticas y averías razonablemente previsible y los modos de fallos peligrosos.
- e) AVISO: Este producto emite radiación UV e IR.
- f) ADVERTENCIA: Este producto emite radiación IR.
- g) PRECAUCIÓN: Este producto emite radiación óptica posiblemente peligrosa.
- h) Minimice la exposición a los ojos o la piel. Utilice una protección adecuada.
- i) Utilice una protección adecuada o protección para los ojos.
- j) No mire fijamente a la lámpara en funcionamiento. Los ojos pueden sufrir daños.
- k) Puede producirse irritación en los ojos o la piel a causa de la exposición. Evite la exposición de los ojos.

Seguridad en materia de electricidad

1. No inserte un clavo, un cable, etc. en el puerto de fuente de alimentación USB. De lo contrario un cortocircuito puede provocar humo y fuego.
2. No conecte la fuente de alimentación a un puerto USB. De lo contrario existe un riesgo de incendio. El puerto USB se ha diseñado para cargar solamente un dispositivo de baja tensión. Coloque siempre la cubierta en el puerto USB cuando no esté cargando un dispositivo de baja tensión.

Uso y mantenimiento de la luminaria a batería

1. Recárguela solamente con el cargador especificado por el fabricante. Un cargador que es adecuado para un tipo de cartucho de la batería puede crear un riesgo de incendio cuando se usa con otro cartucho de la batería.
2. Utilice la luminaria solamente con los cartuchos de la batería. El uso de cualquier otro cartucho de la batería puede crear un riesgo de lesiones e incendio.
3. Cuando no se utilice el cartucho de la batería, manténgalo alejado de otros objetos metálicos, como clips de papel, monedas, llaves, clavos, tornillos u otros objetos metálicos pequeños que puedan establecer una conexión entre los terminales. El cortocircuito de los terminales de la batería puede provocar quemaduras o un incendio.
4. Si no se utiliza correctamente, la batería puede expulsar líquido; evite cualquier contacto con dicho líquido. Si se produce un contacto accidental, enjuague con agua. Si el líquido entra en contacto con los ojos, solicite ayuda médica. El líquido expulsado de la batería puede provocar irritaciones o quemaduras.

INSTRUCCIONES DE SEGURIDAD IMPORTANTES RELACIONADAS CON EL CARTUCHO DE LA BATERÍA

1. Antes de utilizar el cartucho de la batería, lea todas las instrucciones y referencias de precaución que se encuentran en (1) el cargador de la batería, (2) la batería y (3) el producto en el que se utiliza la batería.
2. No desmonte el cartucho de la batería.
3. Si el tiempo de funcionamiento es excesivamente corto, deje de utilizar la herramienta de inmediato. De lo contrario, existe el riesgo de sobrecalentamiento, quemaduras e incluso explosión.
4. Si se produce contacto ocular con electrolito, enjuáguese los ojos con agua limpia y acuda de urgencia al médico. Corre el riesgo de perder la visión.
5. No cortocircuite el cartucho de la batería:
 - (1) No toque los terminales con un material conductor.
 - (2) Evite guardar el cartucho de la batería en un recipiente con otros objetos metálicos, como clavos, monedas, etc.
 - (3) No exponga el cartucho de la batería al agua o a la lluvia.

Un cortocircuito puede provocar un elevado flujo de corriente, sobrecalentamiento, quemaduras o incluso una avería.

6. No almacene la luminaria ni el cartucho de la batería en lugares donde la temperatura supere los 50°C (122°F).
7. No queme el cartucho de la batería aunque esté gravemente dañado o completamente gastado. El cartucho de la batería puede explotar si entra en contacto con fuego.
8. Procure que la batería no sufra golpes ni caídas.
9. No utilice una batería dañada.
10. Respete las normas locales relativas al desecho de la batería.
11. Las baterías de litio-ión están sujetas a los requisitos de la legislación sobre mercancías peligrosas. Para transportes comerciales, p. ej., terceros, transportistas, se deben respetar los requisitos especiales sobre embalajes y etiquetado. Para preparar el elemento para su transporte, debe consultarse con un experto en materiales peligrosos. Respete también cualquier posible normativa nacional. Tape o cubra con cinta adhesiva los contactos abiertos y empaquete la batería de forma que no se pueda mover dentro del embalaje.

⚠ PRECAUCIÓN:

- Utilice solo baterías genuinas de Makita. El uso de baterías no genuinas de Makita o baterías que se han modificado puede provocar una explosión de la batería y un incendio, lesiones personales y daños. También se invalidará la garantía de Makita para la herramienta y el cargador de Makita.

Consejos para conseguir una mayor duración de la batería

1. Cargue la batería antes de que se descargue por completo. Siempre debe dejar de utilizar la luminaria y cargar el cartucho de la batería cuando observe que tiene menos potencia.
2. No recargue nunca un cartucho de la batería completamente cargado. La sobrecarga acorta la vida útil de la batería.
3. Cargue el cartucho de la batería a una temperatura ambiente que oscile entre 10°C y 40°C (50°F y 104°F). Antes de cargar un cartucho de la batería caliente, deje que se enfríe.
4. Cargue el cartucho de la batería si no lo ha utilizado durante un periodo prolongado (más de seis meses).

Guarde todas las advertencias e instrucciones para futuras consultas.

DESCRIPCIÓN DEL FUNCIONAMIENTO

Instalación o extracción del cartucho de la batería (Fig. 1)

⚠ PRECAUCIÓN:

- Apague siempre la luminaria antes de instalar o extraer el cartucho de la batería.
- **Sujete la luminaria y el cartucho de la batería firmemente cuando instale o extraiga el cartucho de la batería.** Si no sujeta la luminaria y el cartucho de la batería firmemente, pueden resbalar de sus manos y se pueden provocar daños en la luminaria y el cartucho de la batería y lesiones personales.

Para quitar el cartucho de la batería, mantenga pulsado el botón de la parte frontal del cartucho y retírelo de la luminaria.

Para instalar el cartucho de la batería, alinee la lengüeta situada en el cartucho de la batería con la ranura del chasis e insértelo. Insértelo completamente hasta que quede firmemente encajado con un clic. Si puede ver el indicador rojo de la zona superior del botón, significa que el cartucho no está encajado completamente.

⚠ PRECAUCIÓN:

- Instale siempre completamente el cartucho de la batería de forma que el indicador rojo quede oculto. De lo contrario, el cartucho puede desprenderse accidentalmente de la luminaria y causar lesiones al operario o a alguna persona que se encuentre cerca.
- No presione excesivamente el cartucho de la batería para instalarlo. Si el cartucho no entra con suavidad, significa que no lo está instalando correctamente.

Indicación de la capacidad restante de la batería (Fig. 2)

(Solo para cartuchos de la batería con "B" al final del número de modelo.)

Pulse el botón de comprobación del cartucho de la batería para indicar la capacidad restante de la batería. Las luces indicadoras se encienden durante unos segundos.

Luces indicadoras		Capacidad restante
Iluminada	Apagado	
		75% a 100%
		50% a 75%
		25% a 50%
		0% a 25%

NOTA:

- En función de las condiciones de uso y de la temperatura ambiente, la indicación puede diferir ligeramente de la capacidad real.

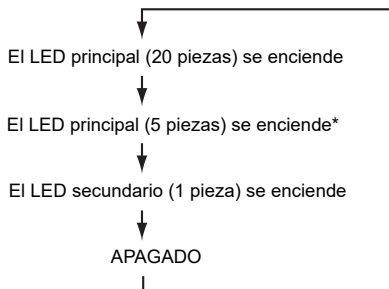
Protección contra la descarga excesiva

Cuando la capacidad de la batería no sea suficiente, la luz se apagará automáticamente. En ese caso, extraiga la batería de la herramienta y cárguela.

Accionamiento del interruptor de la lámpara (Fig. 3)

⚠ PRECAUCIÓN:

- No mire hacia la linterna luminiscente ni mire directamente hacia la fuente de luz.
- Pulse el interruptor de la lámpara tal y como se muestra a continuación para cambiar los modos.



* Se encienden los LED en el lado opuesto al interruptor de la lámpara.

Gancho metálico (Fig. 4)

Coloque el gancho metálico en posición vertical antes de utilizarlo.

El gancho se puede girar 360° y extraer.

Conexión de dispositivos USB (Fig. 5)

⚠ PRECAUCIÓN:

- Conecte solo dispositivos que sean compatibles con un puerto de fuente de alimentación USB. De lo contrario se puede provocar una avería en el soporte de la batería.

Esta luminaria (con la batería) puede funcionar como fuente de alimentación externa para los dispositivos USB. Abra la cubierta y conecte el cable USB (no se incluye) con el puerto de la fuente de alimentación del soporte de la batería. A continuación, conecte el otro extremo del cable con el dispositivo.

Pulse el interruptor de la fuente de alimentación USB. El interruptor se ilumina de color verde y el puerto de la fuente de alimentación USB (con la batería) empieza a suministrar 5 V CC, 2,1 A como máximo. Pulse el interruptor de la fuente de alimentación USB de nuevo para desconectar la fuente de alimentación.

NOTA:

- Antes de conectar el dispositivo USB a la luminaria (con la batería), realice siempre una copia de seguridad de los datos del dispositivo USB. De lo contrario, los datos se pueden perder irremediablemente.
- La luminaria no puede proporcionar alimentación a algunos dispositivos USB.
- Cuando no lo utilice, o bien después de una carga, retire el cable USB y cierre la cubierta.
- Para ahorrar energía de la batería, el interruptor de la fuente de alimentación USB se apagará

automáticamente 30 minutos después de que haya finalizado el suministro de energía de la fuente de alimentación o cuando no se utilice la fuente de alimentación durante 30 minutos.

- Si la capacidad restante de la batería se reduce, el interruptor de la fuente de alimentación USB se apagará y la fuente de alimentación se detendrá para detener el exceso de descarga de la batería. En ese caso, cargue la batería o sustitúyala por una nueva.

Imán de sujeción (accesorio opcional) (Fig. 6, 7)

Acople el imán de sujeción enroscando el tornillo.

Cuando fije la herramienta con el imán de sujeción, utilice un cordel para fijar el imán de sujeción.

ADVERTENCIA:

- No acerque el imán de sujeción a un equipo de precisión, tal como un dispositivo electrónico, un reloj, un reloj de pulsera o una tarjeta IC. Pueden verse afectados por el campo magnético.
- No utilice el imán de sujeción cerca de marcapasos. Existe el riesgo de un mal funcionamiento.

AVISO:

Antes de colocar la herramienta, asegúrese de que el imán se pueda fijar al metal que desea y de que haya suficiente espacio para sujetar la herramienta. Después de sujetarla, asegúrese de que esté fijada firmemente.

AVISO:

- Si el imán de sujeción se fija al material durante un período prolongado, la superficie del material se puede dañar, dependiendo de las condiciones de uso.
- Cuando desenganche el imán de sujeción, no lo deslice. Se puede dañar la superficie a la que el imán de sujeción está fijado.

MANTENIMIENTO

Para mantener la seguridad y la fiabilidad, las reparaciones y el mantenimiento debe realizarlos un centro de servicio técnico autorizado por Makita.

⚠ PRECAUCIÓN:

- Nunca utilice gasolina, benceno, disolvente, alcohol o un producto similar. Se puede provocar una decoloración, una deformación o grietas.

ACCESORIOS OPCIONALES

⚠ PRECAUCIÓN:

Se recomienda el uso de estos accesorios o complementos con la luminaria Makita especificado en este manual. El uso de otros accesorios o complementos puede conllevar el riesgo de ocasionar daños corporales. Los accesorios o complementos sólo deben usarse de una manera correcta y para la que se diseñaron.

- Correa de hombro
- Imán de sujeción
- Batería y cargador originales de Makita

NOTA:

- Algunos elementos de la lista se pueden incluir con el paquete de luminaria como accesorios estándar. Pueden ser diferentes de un país a otro.

Descrição de peças

- | | | |
|-----------------------------------|----------------------------|---|
| 1. Bateria | 5. Botão de verificação | 9. Gancho metálico |
| 2. Botão de libertação da bateria | 6. Interruptor da luz | 10. Interruptor da fonte de alimentação USB |
| 3. Indicador vermelho | 7. LED principal (20 pçs.) | 11. Porta da fonte de alimentação USB |
| 4. Lâmpadas indicadoras | 8. Sub LED (1 pç.) | 12. Orifício |

ESPECIFICAÇÕES

Principais funcionalidades		Modelo		
Tensão		ML104		
LED		CC 10,8 V - 12 V máx		
		LED principal 0,5 W x 20 pçs.		
		Sub LED 2,0 W x 1 pç.		
Fonte de alimentação USB	Porta	USB tipo A		
	Tensão de saída	CC 5 V		
	Corrente de saída	2,1 A		
Tempo de funcionamento (aproximadamente)	Bateria padrão	LED principal (20 pçs.) quando aceso	LED principal (5 pçs.) quando aceso	Sub LED (1 pç.) quando aceso
	BL1015, BL1016	2,0 horas	6,5 horas	7,0 horas
	BL1020B, BL1021B	2,5 horas	8,5 horas	9,5 horas
	BL1040B, BL1041B	5,5 horas	17 horas	19 horas
Dimensões (com BL1040B)	com o gancho armazenado	C 414 mm x L 66 mm x A 132 mm		
	com o gancho armazenado	C 360 mm x L 66 mm x A 101 mm		
Peso líquido		0,61 - 0,78 kg		

- Devido à investigação e desenvolvimento constantes, as especificações estão sujeitas a alteração sem aviso prévio.
- Nota: As especificações podem variar de país para país.
- O tempo de funcionamento pode variar, dependendo do tipo de bateria e da condição de utilização.
- O peso pode variar dependendo do(s) acessório(s), incluindo a bateria. A combinação mais leve e a mais pesada, de acordo com o procedimento EPTA 01/2014, são apresentadas na tabela.

Símbolos

Descrição dos símbolos utilizados no equipamento. Certifique-se de que compreende os seus significados antes da utilização.



Apenas para países da UE
 Devido à presença de componentes perigosos no equipamento, os resíduos de equipamentos elétricos e eletrónicos, acumuladores e baterias podem ter um impacto negativo no meio ambiente e na saúde humana. Não elimine aparelhos elétricos e eletrónicos ou baterias juntamente com resíduos domésticos!
 De acordo com a Diretiva europeia relativa aos resíduos de equipamentos elétricos e eletrónicos, acumuladores e baterias, bem como a respetiva adaptação à legislação nacional, os resíduos de equipamentos elétricos e eletrónicos, acumuladores e baterias devem ser armazenados separadamente e entregues num ponto de recolha separado para resíduos municipais, que opere de acordo com os regulamentos de proteção ambiental.

..... Leia o manual de instruções.

..... Apenas para utilização interior

..... Radiação ótica (UV e Infravermelhos). Minimize a exposição aos olhos ou pele.

..... Não olhe diretamente para a fonte de luz de funcionamento.

..... Use proteção adequada ou proteção ocular.

..... Tenha um cuidado e atenção especiais!

Tal é indicado pelo símbolo de contenedor de lixo com rodas barrado com uma cruz colocado no equipamento.

INSTRUÇÕES DE SEGURANÇA IMPORTANTES

⚠ AVISO: Ao utilizar aparelhos de iluminação elétricos, devem ser sempre cumpridas as precauções de segurança básicas, de forma a reduzir o risco de incêndios, choques elétricos e ferimentos, incluindo as que se seguem:

LEIA TODAS AS INSTRUÇÕES.

⚠ PRECAUÇÃO:

1. Quando o aparelho de iluminação não é utilizado, desligue sempre e retire a bateria do aparelho de iluminação.
2. Não cubra ou obstrua o aparelho de iluminação aceso com pano ou cartão, etc. Cobrir ou obstruir pode causar um incêndio.
3. Não utilize o aparelho de iluminação em locais húmidos ou molhados. Não exponha o aparelho de iluminação à chuva ou à neve. Não o lave em água.
4. Não utilize o aparelho de iluminação em atmosferas explosivas, tais como na presença de líquidos inflamáveis, gases ou pó.
5. Não olhe diretamente para a luz LED ou fonte de luz.

A lâmpada foi classificada como Grupo 2 de risco.

- a) A lâmpada ou o sistema de lâmpadas excede o Grupo de isenções e o risco relacionado do espetador depende da forma como os utilizadores instalam e usam o produto;
- b) O perigo de radiação ótica mais restritivo e outros perigos de radiação ótica em excesso do Grupo de isenções.
- c) A montagem, instalação, manutenção e utilização segura adequadas, incluindo avisos claros relativos às precauções para evitar uma possível exposição a radiação ótica perigosa.
- d) Conselhos sobre os procedimentos de funcionamento seguro e avisos relativos a más práticas previsíveis, avarias e modos de falha perigosos.
- e) AVISO: UV e infravermelhos emitidos por este produto.
- f) AVISO: Infravermelhos emitidos por este produto.
- g) PRECAUÇÃO: Radiação ótica possivelmente perigosa emitida por este produto.
- h) Minimize a exposição aos olhos ou pele. Use proteção adequada.
- i) Use proteção adequada ou proteção ocular.
- j) Não olhe diretamente para a lâmpada de funcionamento. Pode ser nocivo para os olhos.
- k) A irritação nos olhos ou pele pode resultar da exposição. Evite a exposição dos olhos.

Segurança elétrica

1. Não introduza um prego, arame, etc, na porta da fonte de alimentação USB. Caso contrário, um curto-circuito pode causar fumo e incêndios.

2. Não ligue a fonte de alimentação à porta USB. Caso contrário, existe um risco de incêndio. A porta USB só se destina a carregar dispositivos de tensão inferior. Coloque sempre a tampa na porta USB quando não estiver a carregar um dispositivo de tensão inferior.

Utilização e manutenção do aparelho de iluminação

1. Recarregue apenas com o carregador especificado pelo fabricante. Um carregador adequado para um tipo de bateria pode criar um risco de incêndio quando utilizado com outra bateria.
2. Utilize o aparelho de iluminação apenas com baterias especificamente concebidas. A utilização de qualquer outra bateria pode criar um risco de ferimentos e incêndios.
3. Quando a bateria não estiver a ser utilizada, mantenha-a afastada de objetos metálicos como, por exemplo, cliques, moedas, chaves, pregos, parafusos ou outros pequenos objetos metálicos que possam fazer a ligação entre terminais. Provocar um curto-circuito nos terminais da bateria pode causar queimaduras ou um incêndio.
4. Sob condições abusivas, poderá ser ejetado líquido da bateria; evite o contacto. Se ocorrer acidentalmente um contacto, lave com água. Se o líquido entrar em contacto com os olhos, consulte um médico. O líquido ejetado da bateria pode causar irritação ou queimaduras.

INSTRUÇÕES IMPORTANTES DE SEGURANÇA PARA A BATERIA

1. Antes de utilizar a bateria, leia as instruções e chamadas de atenção de: (1) o carregador da bateria, (2) a bateria e (3) o produto que utiliza a bateria.
2. Não desmonte a bateria.
3. Se o tempo de utilização com a bateria se tornar demasiado curto, deve parar imediatamente. Se continuar, pode causar sobreaquecimento, incêndio e mesmo explosão.
4. Se o eletrólito entrar em contacto com os olhos, enxágue-os com água limpa e consulte imediatamente um médico. Os riscos incluem perda de visão.
5. Não provoque um curto-circuito na bateria:
 - (1) Não deixe que quaisquer materiais condutores entrem em contacto com os terminais da bateria.
 - (2) Evite guardar a bateria juntamente com outros objetos de metal como moedas, por exemplo.
 - (3) Não exponha a bateria a água ou chuva. Um curto-circuito na bateria pode criar uma grande carga elétrica, sobreaquecimento, fogo e uma quebra da corrente.
6. Não guarde o aparelho de iluminação e a bateria em locais onde a temperatura possa atingir ou exceder 50°C.
7. Não incinere a bateria, nem mesmo se esta estiver irremediavelmente danificada ou completamente gasta. Pode explodir e causar um incêndio.
8. Não a deixe cair e evite o choque com outros objetos.
9. Não utilize uma bateria danificada.
10. Siga os regulamentos locais relativamente à eliminação da bateria.

11. As baterias de íons de lítio estão sujeitas aos requisitos da legislação para mercadorias perigosas. Para transportes comerciais, por exemplo, por terceiros ou despachantes, é necessário cumprir requisitos especiais na embalagem e etiquetagem. Para a preparação do item a enviar, é necessário consultar um especialista em materiais perigosos. Cumpra também os regulamentos nacionais mais detalhados. Proteja os contactos abertos e embale a bateria de forma que não se possa mover dentro da embalagem.

⚠️ PRECAUÇÃO:

- Utilize apenas baterias genuínas da Makita. A utilização de baterias não genuínas da Makita ou baterias que foram alteradas, pode resultar no rebotamento da bateria causando incêndios, ferimentos pessoais e danos. Também vai anular a garantia da Makita para a ferramenta e carregador da Makita.

Sugestões para o máximo de tempo de vida da bateria

- Não espere que a bateria se gaste completamente para voltar a carregá-la. Desligue o aparelho de iluminação e carregue a bateria sempre que detetar um baixo nível de energia.
- Nunca volte a carregar uma bateria já completamente carregada. O carregamento excessivo diminui o tempo de vida das baterias.
- Carregue a bateria em locais onde a temperatura se situe entre 10°C e 40°C. Se a bateria estiver quente, deixe-a arrefecer antes de iniciar o carregamento.
- Carregue a bateria em caso de inatividade durante um longo período de tempo (mais de seis meses).

Guarde todos os avisos e instruções para referência futura.

DESCRIÇÃO DO FUNCIONAMENTO

Instalar ou retirar a bateria (Fig. 1)

⚠️ PRECAUÇÃO:

- Desligue sempre o aparelho de iluminação antes de instalar ou retirar a bateria.
- Segure o aparelho de iluminação e a bateria ao instalar ou retirar a bateria.** Se não segurar bem o aparelho de iluminação e a bateria, pode fazer com que caiam das mãos e provoquem danos no aparelho de iluminação e bateria e ferimentos pessoais. Para retirar a bateria, deslize-a do aparelho de iluminação ao mesmo tempo que desliza o botão na parte frontal da mesma. Para colocar a bateria, alinhe a respetiva saliência com a calha do compartimento e encaixe-a suavemente. Insira-a completamente até fixar em posição com um clique. Se ainda estiver visível o indicador vermelho na parte superior do botão, não estará bem encaixado.

⚠️ PRECAUÇÃO:

- Instale sempre a bateria completamente, até deixar de ver o indicador vermelho. Caso contrário, pode cair do

aparelho de iluminação e causar ferimentos em si, ou em alguém que esteja perto de si.

- Não instale a bateria forçosamente. Se não encaixar facilmente é porque não está corretamente posicionada.

Indicar a carga restante da bateria (Fig. 2)

(Apenas para baterias com "B" no final do número de modelo.)

Prima o botão de verificação na bateria para indicar a carga restante da bateria. As lâmpadas indicadoras acendem-se durante alguns segundos.

Lâmpadas indicadoras		Carga restante
Acesa	Apagada	
■ ■ ■ ■	□	75% a 100%
■ ■ ■ □	□	50% a 75%
■ ■ □ □	□ □	25% a 50%
■ □ □ □	□ □ □ □	0% a 25%

NOTA:

- Consoante as condições de utilização e a temperatura ambiente, a indicação pode ser ligeiramente diferente da carga real.

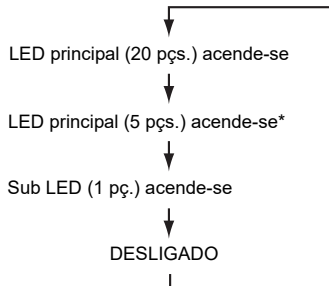
Proteção contra sobredescarga

Quando a carga da bateria não é suficiente, a luz apaga-se automaticamente. Neste caso, retire a bateria da ferramenta e carregue-a.

Operações do interruptor de luz (Fig. 3)

⚠️ PRECAUÇÃO:

- Não olhe diretamente para a luz LED ou fonte de luz. Prima o interruptor de luz, conforme mostrado abaixo para alterar os modos.



* Os LEDs no lado oposto do interruptor de luz acendem-se.

Gancho metálico (Fig. 4)

Rode o gancho metálico para cima antes de utilizá-lo. O gancho pode ser rodado 360° e removido.

Ligar dispositivos USB (Fig. 5)

PRECAUÇÃO:

- Ligue apenas dispositivos compatíveis com a porta da fonte de alimentação USB. Caso contrário, pode causar avarias no suporte da bateria.

Este aparelho de iluminação (com a bateria) pode funcionar como uma fonte de alimentação externa para dispositivos USB.

Abra a tampa e ligue o cabo USB (não incluído) à porta da fonte de alimentação do suporte da bateria. E, de seguida, ligue a outra extremidade do cabo com o dispositivo.

Prima o interruptor da fonte de alimentação USB. Os interruptores de luz a verde e a porta da fonte de alimentação USB (com a bateria) começa a fornecer CC 5V, 2,1A no máximo. Prima novamente o interruptor da fonte de alimentação USB para desligar a fonte de alimentação.

NOTA:

- Antes de ligar o dispositivo USB ao aparelho de iluminação (com a bateria), efetue sempre cópias de segurança dos dados do dispositivo USB. Caso contrário, os dados podem ser perdidos.
- O aparelho de iluminação pode não fornecer alimentação a alguns dispositivos USB.
- Quando não está em utilização ou após o carregamento, retire o cabo USB e feche a tampa.
- Para poupar carga da bateria, o interruptor da fonte de alimentação USB vai desligar-se automaticamente; 30 minutos após a fonte de alimentação ser desligada; ou a fonte de alimentação não é efetuada durante 30 minutos.
- Se a carga restante da bateria for inferior, o interruptor da fonte de alimentação USB vai desligar-se e a fonte de alimentação vai parar para evitar a sobrecarga da bateria. Neste caso, carregue a bateria ou substitua por uma nova.

Íman (acessório opcional) (Fig. 6, 7)

Instale o íman apertando o parafuso.

Ao instalar a ferramenta com o íman, utilize um fio para fixar o íman.

AVISO:

- Não aproxime o íman de equipamento de precisão, como um dispositivo eletrónico, relógio ou cartão IC. A força magnética pode afetá-los.
- Não utilize o íman próximo de um pacemaker. Existe um risco de avaria.

ATENÇÃO:

Antes da instalação, certifique-se de que o íman pode ser instalado no metal pretendido e de que existe espaço suficiente para a instalação. Após a instalação, certifique-se de que a ferramenta está bem fixa.

ATENÇÃO:

- Se o íman for fixo ao material durante um longo período de tempo, a superfície do material pode ficar danificada, consoante as condições de utilização.
- Ao separar o íman, não o faça deslizar. A superfície à qual o íman é fixo pode ficar danificada.

MANUTENÇÃO

Para manter a segurança e fiabilidade do produto, as reparações e manutenção devem ser efetuadas por um Centro de Assistência Autorizado Makita.

PRECAUÇÃO:

- Nunca utilize gasolina, benzina, diluente, álcool ou semelhante. Podem formar-se descolorações, deformações ou fissuras.

ACESSÓRIOS OPCIONAIS

PRECAUÇÃO:

Estes acessórios ou extensões são os recomendados para utilizar com o aparelho de iluminação Makita especificada neste manual. A utilização de quaisquer outros acessórios poderá representar um risco de ferimento para as pessoas. Os acessórios ou extensões só devem ser utilizados da forma correta e prevista.

- Alça de ombro
- Íman
- Bateria e carregador Makita genuínos

NOTA:

- Alguns itens na lista podem estar incluídos no pacote do aparelho de iluminação como acessórios de série. Podem diferir de país para país.

- | | | |
|-----------|-------------------|--------------|
| 1. 电池套管 | 5. 检查按钮 | 9. 金属锁钩 |
| 2. 电池释放按钮 | 6. 灯开关 | 10. USB 电源开关 |
| 3. 红色指示灯 | 7. 主 LED 灯 (20 个) | 11. USB 电源端口 |
| 4. 指示灯 | 8. 子 LED 灯 (1 个) | 12. 孔 |

规格

主要功能		型号			
		ML104			
电压		DC 10.8 V - 12V 最大			
LED		主 LED 灯 0.5 W x 20 个			
		子 LED 灯 2.0 W x 1 个			
USB 电源	端口	USB A 型			
	输出电压	DC 5 V			
	输出电流	2.1 A			
操作时间 (大约)	标准电池套管	主 LED 灯 (20 个) 点亮时	主 LED 灯 (5 个) 点亮时	子 LED 灯 (1 个) 点亮时	
	BL1015, BL1016	2.0 小时	6.5 小时	7.0 小时	
	BL1020B, BL1021B	2.5 小时	8.5 小时	9.5 小时	
	BL1040B, BL1041B	5.5 小时	17 小时	19 小时	
尺寸 (带 BL1040B)	带立起的锁钩	L 414 mm x W 66 mm x H 132 mm			
	带存放的锁钩	L 360 mm x W 66 mm x H 101 mm			
净重		0.61 - 0.78 kg			

- 鉴于我司将持续实施研发计划，此处规格如有变更，恕不另行通知。
- 注：本产品在各个国家的规格可能有所不同。
- 视电池类型和使用环境的情况，操作时间可能不同。
- 视附件（包括电池套管）的情况，重量可能不同。最轻和最重的组合（根据 EPTA-Procedure 01/2014）显示在表中。

符号

下列所示为用于设备的符号。
请确保在使用前理解各个符号的含义。



... 请阅读操作手册。



..... 仅供室内使用



..... 光辐射 (UV 和 IR)
最小化眼睛或皮肤的暴露。



..... 请勿凝视工作中的光源。



..... 使用相应的屏蔽或眼睛保护。



..... 要万分小心谨慎！



..... 仅限于欧盟国家
由于本设备中包含有害成分，因此废弃的电气和电子设备、蓄电池和普通电池可能会对环境和人体健康产生负面影响。
请勿将电气和电子工具或电池与家庭普通废弃物放在一起处置！
根据欧洲关于废弃电气电子设备、蓄电池和普通电池、废弃的蓄电池和普通电

池的指令及其国家层面的修订法案，废弃的电气设备、普通电池和蓄电池应当单独存放并递送至城市垃圾收集点，根据环保法规进行处置。
此规定由标有叉形标志的带轮垃圾桶符号表示。

重要安全指导

⚠ 警告： 在使用电动灯具时，应始终遵守包括如下内容在内的基本安全注意事项，以降低火灾、触电或人身伤害的风险：

阅读所有指导。

⚠ 注意：

1. 当灯具没有使用时，总是关闭并拔下插头 / 从灯具上拆下电池套管。
2. 请勿用布或纸板等盖住或挡住亮起的灯具。否则可能会引起着火。
3. 不得将灯具暴露在湿气重或潮湿的场所。请勿将灯具暴露在雨或雪中。请勿用水冲洗。
4. 不得在有爆炸性危险的环境（如存在易燃液体、气体和粉尘）中使用灯具。
5. 请勿直视 LED 灯或光源。

灯泡被分类为 2 类危险。

- a) 灯泡或灯泡系统超过 Exempt Group (无危险类) 的限制, 对观看者的相关危险取决于用户如何安装和使用该产品。
- b) 最严格的光辐射危险和其他光辐射危险超过 Exempt Group (无危险类) 的限制。
- c) 正确的组装、安装、维护和正确使用, 包括清楚的注意事项相关警告, 避免可能的危险光辐射暴露。
- d) 安全操作步骤建议和有关合理可预见错误操作、故障和危险失效模式的警告。
- e) 注意: 本产品会发射出 UV 和 IR。
- f) 警告: 本产品会发射出 IR。
- g) 注意: 本产品可能发射出危险的光辐射。
- h) 最小化眼睛或皮肤的暴露。使用相应的屏蔽。
- i) 使用相应的屏蔽或眼睛保护。
- j) 请勿凝视工作中的灯泡。可能对眼睛造成伤害。
- k) 暴露可能会引起眼睛或皮肤刺激。避免眼睛暴露。

电气安全

1. 请勿将钉子、电线等插入 USB 电源端口。否则短路可能引起冒烟和着火。
2. 请勿将电源连接到 USB 端口。否则有火灾危险。USB 端口只能用于对低压设备充电。没有对低压设备充电时, 务必盖住 USB 端口。

电池灯具使用和保养

1. 仅使用制造商指定的充电器进行充电。适用于一种类型电池套管的充电器如果用于其他电池套管可能会引起火灾危险。
2. 使用灯具时仅使用指定的电池套管。使用任何其他电池套管可能会引起人身伤害或火灾危险。
3. 当电池套管未用时, 请将其保存在远离金属物品之处。如同形针、硬币、钥匙、钉子、螺丝或其他小金金属物体等。这些物体可能会将电池的两个端子连在一起。短接电池端子可能会引起爆炸或火灾。
4. 如果使用不当可能从电池渗出液体。避免接触此类流动物体。如果意外接触到电池漏液, 请用水冲洗。如果上述液体侵入眼睛必须即刻就医。从电池流出的液体会刺激或灼伤皮肤。

电池套管重要安全注意事项

1. 使用电池套管前, 请阅读 (1) 电池充电器、(2) 电池和 (3) 使用电池之产品上的所有指导说明和警戒标记。
2. 请勿拆开电池套管。
3. 如果操作时间变得过短, 立即停止操作。其可能导致过热、造成灼伤, 甚至爆炸的危险。
4. 如果电解液进入您的双眼, 用清水冲洗, 并立即就医。其可能导致您的视力下降。
5. 请勿短接电池套管:
 - (1) 请勿使用任何导电材料接触端子。
 - (2) 避免在装有其它金属物体的容器内存放电池套管, 例如钉子、硬币等。
 - (3) 不要将电池套管暴露在水或雨中。电池短路可能导致过大的电流、过热, 可能造成灼伤, 甚至发生故障。
6. 请勿将灯具和电池套管存放于温度可能达到或超过 50° C (122° F) 的位置。
7. 即使电池套管严重损坏或完全磨损, 也不要抛弃之。电池套管在火中可能爆炸。
8. 请小心, 不要掉落或撞击电池。

9. 不要使用损坏的电池。
10. 请遵守当地关于电池处置的规定。
11. 所含锂离子电池符合《危险品立法》的要求。对于商业运输 (如通过第三方、运输代理), 必须遵守包装和标签的特殊要求。对于要发运的物品准备, 必须咨询危险材料方面的专家。也请遵守可能更加详细的相关国家规定。缠绕或屏蔽开口触点, 并包装好电池, 让其不能在包装盒内移动。

⚠ 注意:

- 仅使用牧田正品电池。
- 使用非牧田正品电池或改装后的电池, 可导致电池爆炸, 引起火灾, 造成人员受伤和财产损失。这还会丧失牧田对牧田工具和充电器的保修。

保持电池最大寿命的提示

1. 在电池套管完全放电前, 进行充电。在您注意到灯具功率下降时, 务必停止操作灯具, 并给电池套管充电。
2. 切勿重新给完全充电的电池套管再次充电。过度充电会缩短电池使用寿命。
3. 在 10° C - 40° C (50° F - 104° F) 的室温给电池套管充电。充电前, 让灼热的电池套管冷却下来。
4. 如果长期不使用 (超过六个月), 请充电电池套管。

请妥善保存所有的警告和操作指示以备日后参考。

功能说明

安装或拆卸电池套管 (图 1)

⚠ 注意:

- 安装或拆卸电池套管前, 务必关闭灯具的开关。
- 安装或拆卸电池套管时牢牢握住灯具和电池套管。未能牢牢握住灯具和电池套管可能导致它们从手中滑出, 损坏灯具和电池套管及造成人员受伤。

取出电池套管时, 滑动电池套管前面的按钮, 将其从灯具中滑出。

安装电池套管时, 将电池套管上的凸锥对准外壳上的沟槽, 并将其滑入到位。一直插入, 直到其锁定在位, 这时候会听到微弱的“咔哒”声。如果能看到按钮上侧的红色指示灯, 则表示没有完全锁紧。

⚠ 注意:

- 务必装好电池套管, 直到不能看到红色指示灯。否则, 其可能意外从灯具中掉出, 导致您或您周围的人员受到伤害。
- 请勿用力安装电池套管。如果电池套管没有轻松地滑入, 表明其可能没有正确插入。

指示剩余的电池电量 (图 2)

(仅限型号以“B”结尾的电池套管。)

按下电池套管上的检查按钮, 指示剩余的电池容量。指示灯亮起数秒钟。

指示灯		剩余电量
亮起	熄灭	
■ ■ ■ ■		75% 至 100%
■ ■ ■ □		50% 至 75%
■ ■ □ □		25% 至 50%
■ □ □ □		0% 至 25%

注：

- 根据使用条件和环境温度，指示可能与实际电量稍有不同。

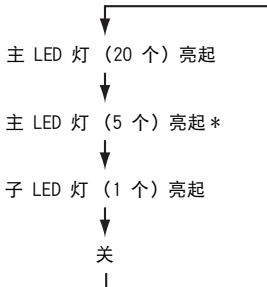
过度放电保护

当电池电量不足时，灯将自动熄灭。该情况下，将电池从工具中取出并对电池充电。

灯开关操作（图 3）

⚠ 注意：

- 请勿直视 LED 灯或光源。
- 按下灯开关改变模式，如下图所示。



* 灯开关对面的 LED 灯亮起。

金属锁钩（图 4）

使用前，旋转金属锁钩直立。锁钩可旋转 360° 并拆下。

连接 USB 设备（图 5）

⚠ 注意：

- 仅连接兼容 USB 电源端口的设备。否则可能引起电池固定器故障。

该光源（带电池）可作为 USB 设备的外部电源来工作。打开盖子，将 USB 电缆（未含）与电池固定器的电源端口相连。然后将电缆的另一端与设备相连。

按下 USB 电源开关。该开关亮起绿灯，USB 电源端口（带电池）开始提供动力 DC5V，2.1A 最大。再次按下 USB 电源开关，关闭电源。

注：

- 将 USB 设备连接到灯具（带电池）前，务必备份 USB 设备的数据。否则您的数据可能会意外丢失。
- 该灯具可能不向某些 USB 设备供电。
- 不使用时或充电后，拆下 USB 电缆并关上盖子。

- 为了保持电池电力，当以下情况时 USB 电源开关将自动关闭：电源完成 30 分钟后；或电源有 30 分钟没工作。
- 如果剩余的电池电量变低，USB 电源开关将关闭，电源停止，防止电池过度放电。该情况下，对电池充电或更换新电池。

磁性附件（选购配件）（图 6、7）

拧紧螺丝，装上磁性附件。

当安装带磁性附件的工具时，使用绳子来固定磁性配件。

警告：

- 请勿将磁性附件靠近精密设备附近，如电子设备、钟、手表或 IC 卡。磁力可能会影响它们。
- 请勿在心脏起搏器附近使用磁性附件。否则有故障危险。

注意：

安装前，确保磁铁可装在所需的金属上并且有足够的安装空间。安装后，确保工具固定牢固。

注意：

- 如果磁性附件长期装在材料上，根据使用情况，可能会损坏材料的表面。
- 拆下磁性附件时，请勿滑动。安装磁性附件的表面可能会有损坏。

维护

为保持产品的安全性和可靠性，修理和维护必须由牧田授权服务中心的人员来执行。

⚠ 注意：

- 不得使用汽油、苯、稀释剂、酒精或其它类似产品。否则可能出现褪色、变形或裂缝。

选配附件

⚠ 注意：

这些配件或附件建议用于本手册指定的牧田灯具。使用任何其它配件或附件可能有造成人身伤害的危险。这些配件或附件只能按适当的既定方式使用。

- 肩带
- 磁性附件
- 牧田正品电池或充电器

注：

- 列表中的某些物品可能已经作为标准附件包括了在灯具包装中。它们可能在不同国家各异。

Makita Europe N.V. Jan-Baptist Vinkstraat 2,
3070 Kortenberg, Belgium

Makita Corporation 3-11-8, Sumiyoshi-cho,
Anjo, Aichi 446-8502 Japan